

# Clawfoot Bathtubs

---

Victorian I	1
Antique I	2
Cleopatra	3
Victorian II	4
Antique II	5
Tudor	6
Edwardian	7
Oxford	8
Rhapsody	9
Elizabethan	10

# VICTORIAN I

## Clawfoot Series

59" x 28" x 17 1/2"



### FINISH

- Interior: smooth, high gloss acrylic
- Exterior: smooth, high gloss acrylic
- Comes standard with factory installed chrome legs.

### OPTIONS

- Legs are available in:
  - Brushed Nickel
  - White
  - Polished Brass

### ACCESSORIES

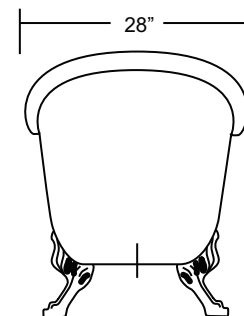
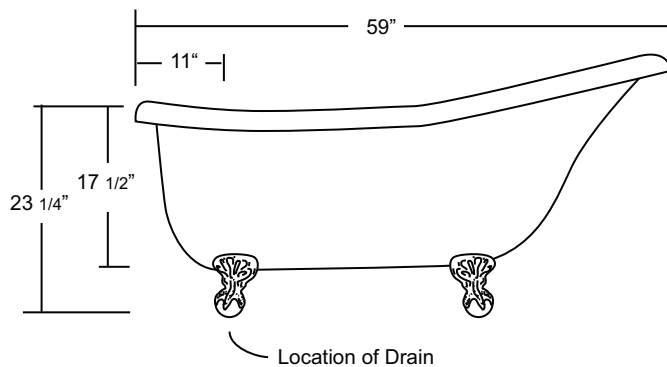
- Waste & Overflow are available in:
  - Brushed Nickel
  - Chrome
  - Polished Brass

### WEIGHT

- 38 Kg, 83 Lbs.

\*1 year limited manufacturer's warranty included

\*Note: Legs may not be exactly as shown



All measurements  $\pm 1/4$ "



This bathtub complies with CSA Standards

In keeping with our policy of continuing product improvement, Acri-Tec Industries Corp., reserves the right to change product specifications without notice.

# ANTIQUE I

## Clawfoot Series

**59 1/4" x 29 1/4" x 23 1/2"**

### FINISH

- Interior: smooth, high gloss acrylic
- Exterior: rolled resin finish that can be finished to match bathroom decor
- Comes standard with factory installed chrome legs.

### OPTIONS

- Legs are available in:
  - Brushed Nickel
  - White
  - Polished Brass

### ACCESSORIES

- Waste & Overflow are available in:
  - Brushed Nickel
  - Chrome
  - Polished Brass

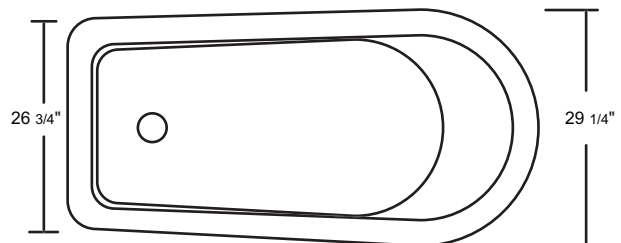
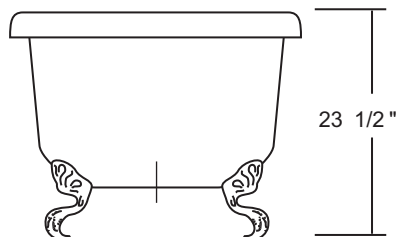
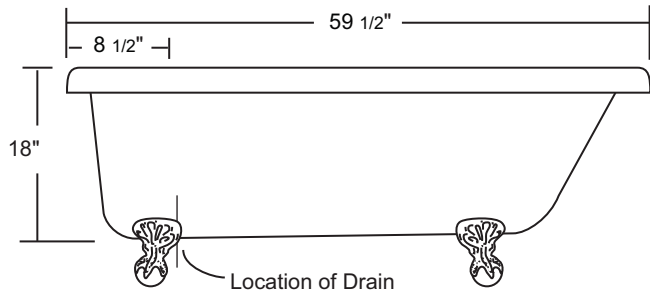
### WEIGHT

- 38.5 Kg, 85 Lbs.



\*1 year limited manufacturer's warranty included

\*Note: Legs may not be exactly as shown



All measurements  $\pm 1/4"$



This bathroom complies with CSA Standards

In keeping with our policy of continuing product improvement, Acri-Tec Industries Corp., reserves the right to change product specifications without notice.

# CLEOPATRA

## Clawfoot Series

**61" x 26 3/4" x 27 1/2"**

### FINISH

- Interior: smooth, high gloss acrylic
- Exterior: smooth, high gloss acrylic
- Comes standard with factory installed chrome legs.

### OPTIONS

- Legs are available in:
  - Brushed Nickel
  - White
  - Polished Brass

### ACCESSORIES

- Waste & Overflow are available in:
  - Brushed Nickel
  - Chrome
  - Polished Brass

### WEIGHT

- 38.5 Kg, 85 Lbs.



\*1 year limited manufacturer's warranty included

\*Note: Legs may not be exactly as shown

All measurements  $\pm 1/4"$



This bathtub complies with CSA Standards

In keeping with our policy of continuing product improvement, Acri-Tec Industries Corp., reserves the right to change product specifications without notice.

# VICTORIAN II

## Claw Foot Series

### 66" x 29" x 17 1/2"

#### FINISH

- Interior: smooth, high gloss acrylic
- Exterior: smooth, high gloss acrylic
- Comes standard with factory installed chrome legs.

#### OPTIONS

- Legs are available in:
  - Brushed Nickel
  - White
  - Polished Brass

#### ACCESSORIES

- Waste & Overflow are available in:
  - Brushed Nickel
  - Chrome
  - Polished Brass

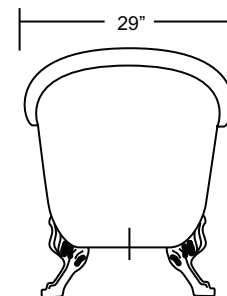
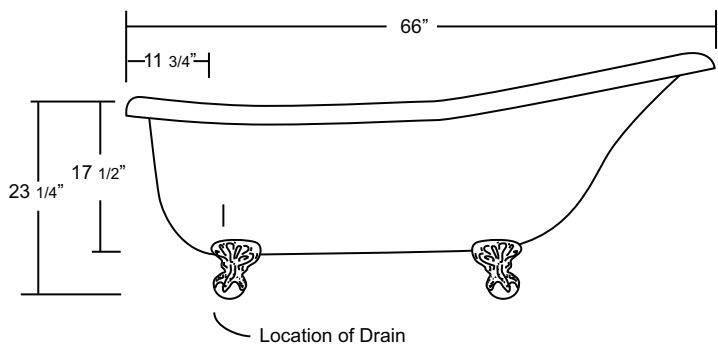
#### WEIGHT

- 34 Kg, 75 Lbs.



\*1 year limited manufacturer's warranty included

\*Note: Legs may not be exactly as shown



All measurements  $\pm 1/4$ "



This bathtub complies with CSA Standards

In keeping with our policy of continuing product improvement, Acri-Tec Industries Corp., reserves the right to change product specifications without notice.

# ANTIQUE II

## Clawfoot Series

**66" x 29 1/2" x 23 1/2"**



### FINISH

- Interior: smooth, high gloss acrylic
- Exterior: smooth, high gloss acrylic
- Comes standard with factory installed chrome legs.

### OPTIONS

- Legs are available in:
  - Brushed Nickel
  - White
  - Polished Brass

### ACCESSORIES

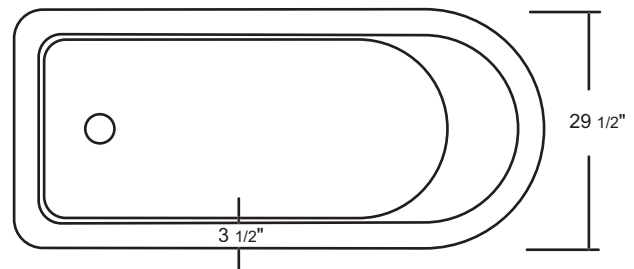
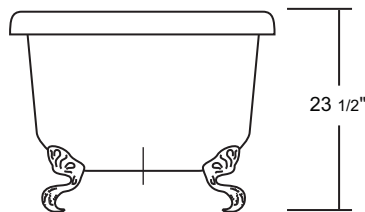
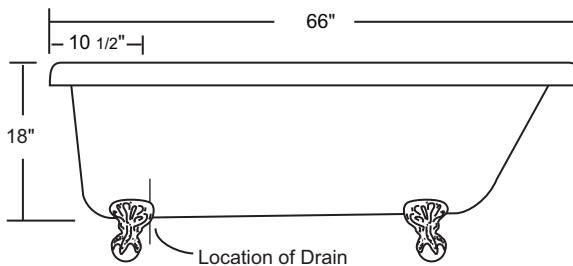
- Waste & Overflow are available in:
  - Brushed Nickel
  - Chrome
  - Polished Brass

### WEIGHT

- 42 Kg, 93 Lbs.

\*1 year limited manufacturer's warranty included

\*Note: Legs may not be exactly as shown



All measurements  $\pm 1/4"$



This bathtub complies with CSA Standards

In keeping with our policy of continuing product improvement, Acri-Tec Industries Corp., reserves the right to change product specifications without notice.

# TUDOR

## Clawfoot Series

### 66" x 31" x 18"



#### FINISH

- Interior: smooth, high gloss acrylic
- Exterior: smooth, high gloss acrylic
- Comes standard with factory installed chrome legs.

#### OPTIONS

- Legs are available in:
  - Brushed Nickel
  - White
  - Polished Brass

#### ACCESSORIES

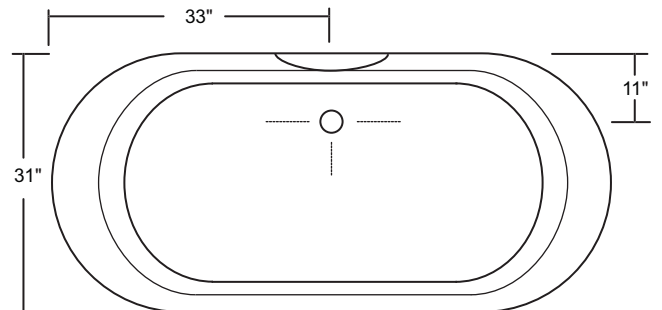
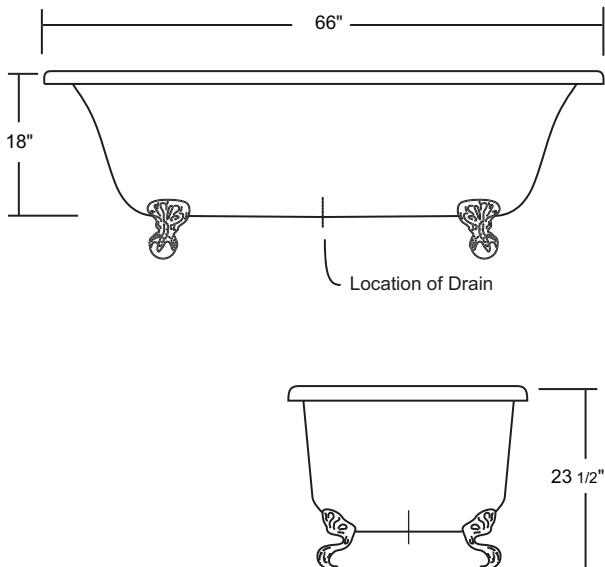
- Waste & Overflow are available in:
  - Brushed Nickel
  - Chrome
  - Polished Brass

#### WEIGHT

- 42 Kg, 93 Lbs.

\*1 year limited manufacturer's warranty included

\*Note: Legs may not be exactly as shown



All measurements  $\pm 1/4"$



This bathtub complies with CSA Standards

In keeping with our policy of continuing product improvement, Acri-Tec Industries Corp., reserves the right to change product specifications without notice.

# EDWARDIAN

## Clawfoot Series

### 66" x 31" x 18"



#### FINISH

- Interior: smooth, high gloss acrylic
- Exterior: smooth, high gloss acrylic
- Comes standard with factory installed chrome legs.

#### OPTIONS

- Legs are available in:
  - Brushed Nickel
  - White
  - Polished Brass

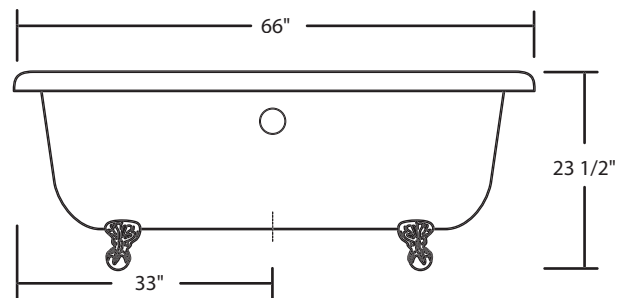
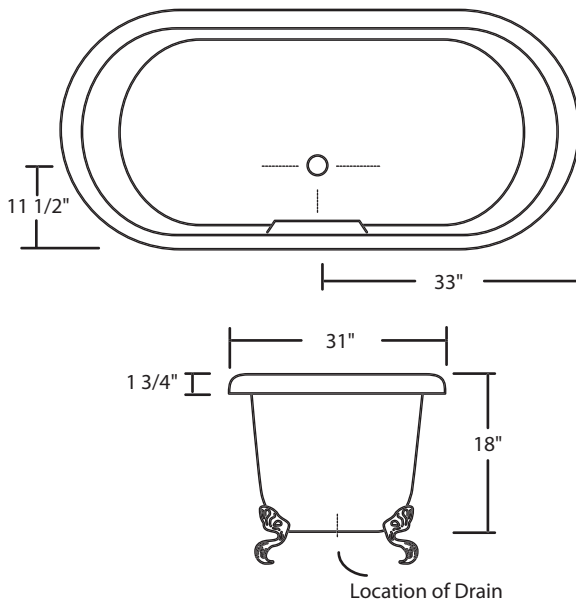
#### ACCESSORIES

- Waste & Overflow are available in:
  - Brushed Nickel
  - Chrome
  - Polished Brass

#### WEIGHT

- 44 Kg, 97 Lbs.

\*1 year limited manufacturer's warranty included  
\*Note: Legs may not be exactly as shown



All measurements  $\pm 1/4"$



This bathtub complies with CSA Standards

In keeping with our policy of continuing product improvement, Acric-Tec Industries Corp., reserves the right to change product specifications without notice.

# OXFORD

## Claw Foot Series

### 66" x 33" x 18"

#### FINISH

- Interior: smooth, high gloss acrylic
- Exterior: smooth, high gloss acrylic
- Comes standard with factory installed black steel legs.

#### OPTIONS

- Legs are available in:
  - Black Steel

#### ACCESSORIES

- Waste & Overflow are available in:
  - Brushed Nickel
  - Chrome
  - Polished Brass

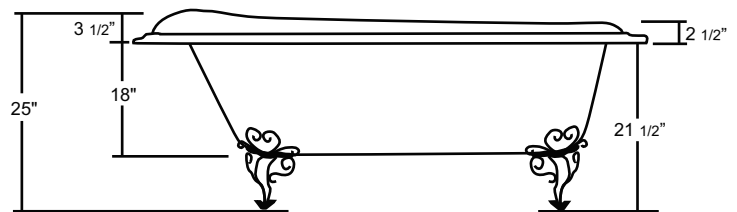
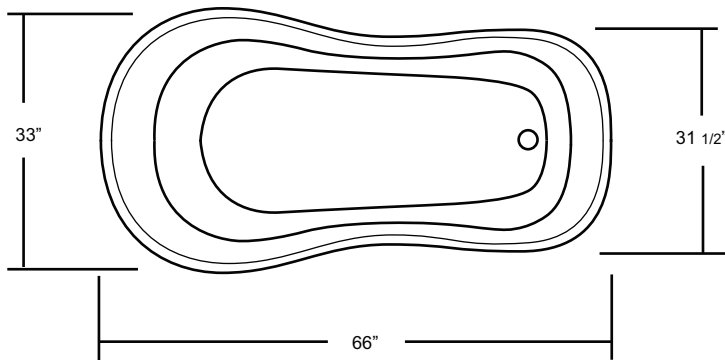
#### WEIGHT

- 38.5 Kg, 85 Lbs.



\*1 year limited manufacturer's warranty included

\*Note: Legs may not be exactly as shown



All measurements  $\pm 1/4"$



This bathtub complies with CSA Standards

In keeping with our policy of continuing product improvement, Acri-Tec Industries Corp., reserves the right to change product specifications without notice.

# RHAPSODY

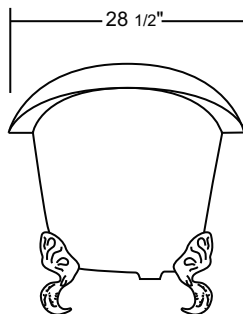
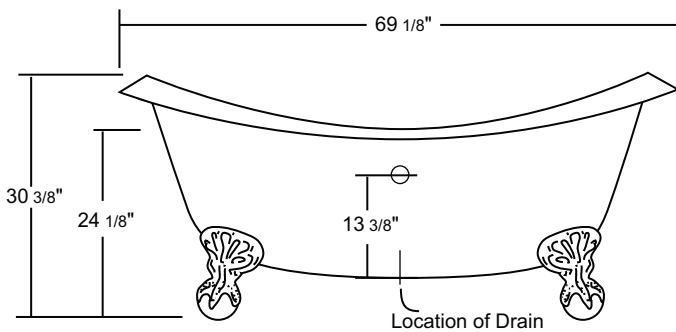
## Claw Foot Series

**69" x 27 1/2" x 24 1/8"**



\*1 year limited manufacturer's warranty included

\*Note: Legs may not be exactly as shown



All measurements  $\pm 1/4$ "

### FINISH

- Interior: smooth, high gloss acrylic
- Exterior: smooth, high gloss acrylic
- Comes standard with factory installed chrome legs.

### OPTIONS

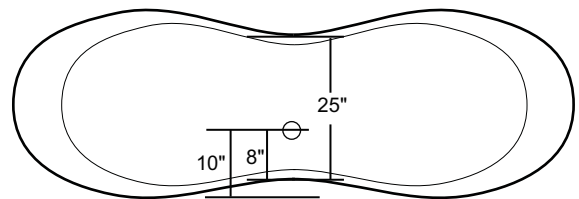
- Legs are available in:
  - Brushed Nickel
  - White
  - Polished Brass

### ACCESSORIES

- Waste & Overflow are available in:
  - Brushed Nickel
  - Chrome
  - Polished Brass

### WEIGHT

- 29 Kg, 64 Lbs.



This bathtub complies with CSA Standards

In keeping with our policy of continuing product improvement, Acri-Tec Industries Corp., reserves the right to change product specifications without notice.

# ELIZABETHAN

## Clawfoot Series

### 69" x 28 3/4" x 23"

#### FINISH

- Interior: smooth, high gloss acrylic
- Exterior: smooth, high gloss acrylic
- Comes standard with factory installed chrome legs.

#### OPTIONS

- Legs are available in:
  - Brushed Nickel
  - White
  - Polished Brass

#### ACCESSORIES

- Waste & Overflow are available in:
  - Brushed Nickel
  - Chrome
  - Polished Brass

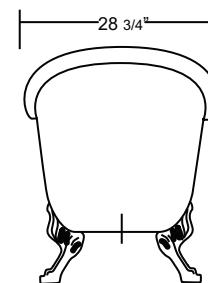
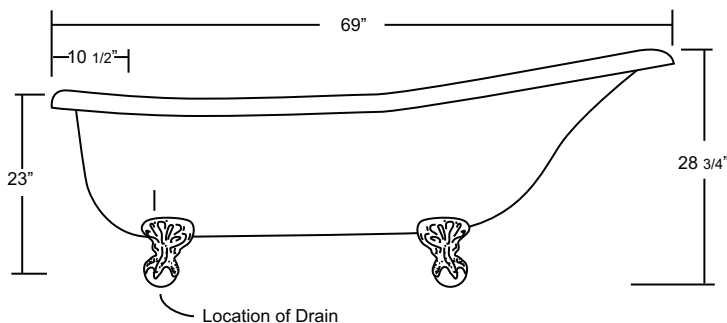
#### WEIGHT

- 45 Kg, 100 Lbs.



\*1 year limited manufacturer's warranty included

\*Note: Legs may not be exactly as shown



All measurements  $\pm 1/4"$



This bathtub complies with CSA Standards

In keeping with our policy of continuing product improvement, Acri-Tec Industries Corp., reserves the right to change product specifications without notice.