



---

## TABLE OF CONTENTS - RETRO-FIT BASES

---

60" x 30" Retro-fit Shower Base	1
60" x 32" Retro-fit Shower Base	2

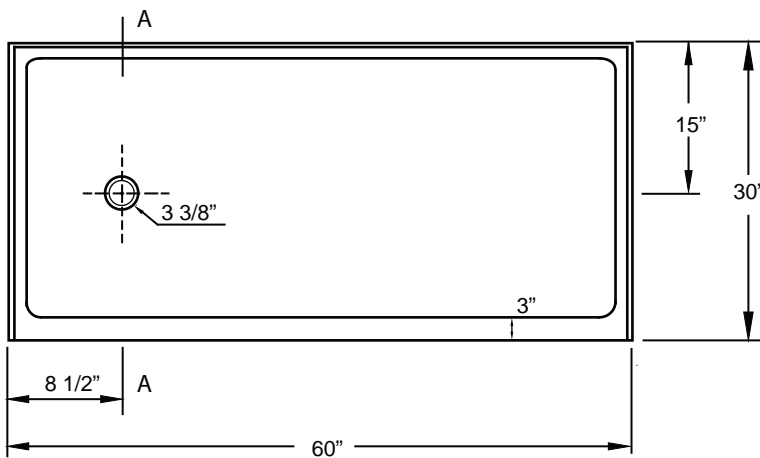
# MODEL

## 60" x 30" Retrofit



\*1 year limited manufacturer's warranty included

### SHOWER BASE DIMENSIONS



A-A Cut View



This shower base complies with CSA Standards

\*Shower Drains are not included  
All measurements  $\pm 1/4"$

### DESIGN FEATURES

- Acrylic shower base constructed of cast high gloss acrylic and reinforced with a fibreglass backing
- Available in left hand or right hand drain location
- Designed to replace a standard 5' bathtub
- Shower base trimmed to fit 60" x 30" rough opening
- Integral tiling flange for easy installation
- Standard 3 3/8" shower drain opening\*

### OPTIONS

- Available in;
  - White
  - Biscuit
  - Bone
  - Linen
- Compatible Shower Doors:
  - CPL109-60 (Section 18, Page 6)
  - 2042E554 (Section 18, Page 4)
  - 9749572 (Section 18, Page 3)

In keeping with our policy of continuing product improvement, Acric-Tec Industries Corp., reserves the right to change product specifications without notice.

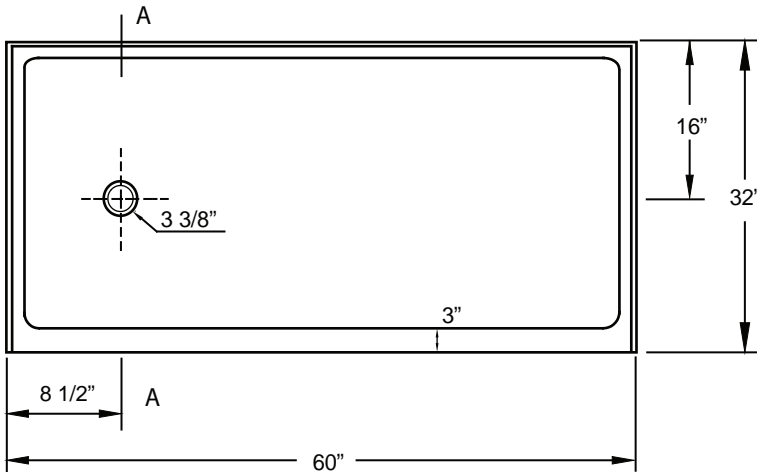
# MODEL

## 60" x 32" Retro-Fit



\*1 year limited manufacturer's warranty included

### SHOWER BASE DIMENSIONS



A-A Cut View



This shower base complies with CSA Standards

### DESIGN FEATURES

- Acrylic shower base constructed of cast high gloss acrylic and reinforced with a fibreglass backing
- Available in left hand or right hand drain location
- Designed to replace a standard 5' bathtub
- Shower base trimmed to fit 60" x 32" rough opening
- Integral tiling flange for easy installation
- Standard 3 3/8" shower drain opening\*

### OPTIONS

- Available in;
  - White
  - Biscuit
  - Bone
  - Linen
- Compatible Shower Doors:
  - CPL109-60 (Section 18, Page 6)
  - 2042E554 (Section 18, Page 4)
  - 9749572 (Section 18, Page 3)

\*Shower Drains are not included  
All measurements  $\pm 1/4"$

In keeping with our policy of continuing product improvement, Acric-Tec Industries Corp., reserves the right to change product specifications without notice.