



## Shower Bases - Double Threshold

32" x 32" _____	1
32" x 32" Unique (68132) _____	2
36" x 36" _____	3
38" x 38" _____	4
42" x 42" _____	5
48" x 48" Low Profile _____	6
36" x 32" _____	7
48" x 30" Low Profile _____	8
48" x 32" Low Profile _____	9
48" x 34" Low Profile _____	10
48" x 36" Low Profile _____	11
48" x 42" Low Profile _____	12
60" x 30" Low Profile _____	13
60" x 32" Low Profile _____	14
60" x 34" Low Profile _____	15
60" x 36" Low Profile _____	16

# MODEL

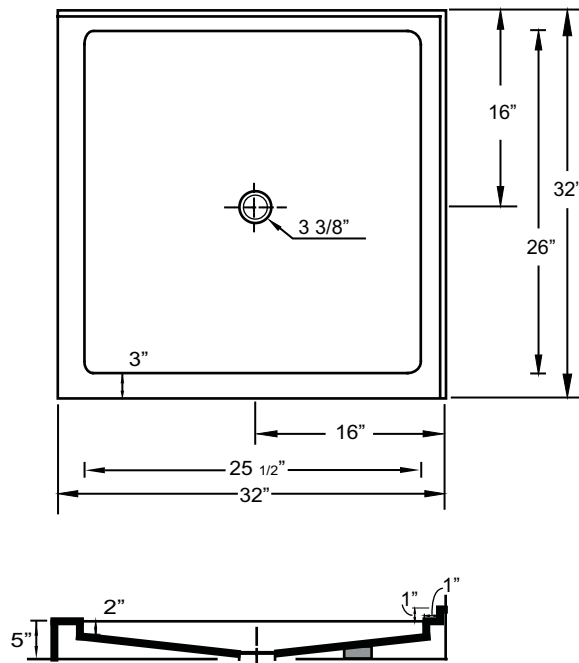
## 32" x 32" Double Threshold



\*1 year limited manufacturer's warranty included

\*Note: Shower base may not be exactly as pictured

### SHOWER BASE DIMENSIONS



\*Diagram is not to scale



This shower base complies with CSA Standards

\*Shower Drains are not included  
All measurements  $\pm 1/4"$

### DESIGN FEATURES

- Acrylic shower base constructed of cast high gloss acrylic and reinforced with a fibreglass backing
- Standard 3 3/8" shower drain opening
- Shower base trimmed to fit 32" x 32" rough opening
- Integral tiling flange for easy installation

### OPTIONS

- Available in;
  - White
  - Biscuit
  - Bone
  - Linen
- Compatible Shower Doors:
  - 9718DT (Section 18, Page 7)

In keeping with our policy of continuing product improvement, Acri-Tec Industries Corp., reserves the right to change product specifications without notice.

# 68132

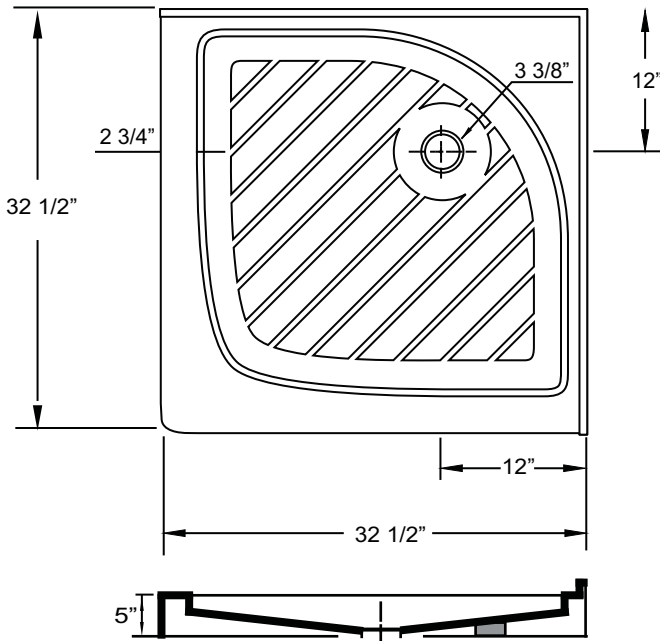
## 32" x 32" Double Threshold



\*1 year limited manufacturer's warranty included

\*Note: Shower base may not be exactly as pictured

### SHOWER BASE DIMENSIONS



\*Diagram is not to scale



This shower base complies with CSA Standards

\*Shower Drains are not included  
All measurements  $\pm 1/4"$

### DESIGN FEATURES

- Acrylic shower base constructed of cast high gloss acrylic and reinforced with a fibreglass backing
- Standard 3 3/8" shower drain opening
- Shower base trimmed to fit 32 1/2" x 32 1/2" rough opening
- Integral tiling flange for easy installation

### OPTIONS

- Available in;
  - White
  - Biscuit
  - Bone
  - Linen
- Compatible Shower Doors:
  - 9718DT (Section 18, Page 7)

In keeping with our policy of continuing product improvement, Acri-Tec Industries Corp., reserves the right to change product specifications without notice.

# Model

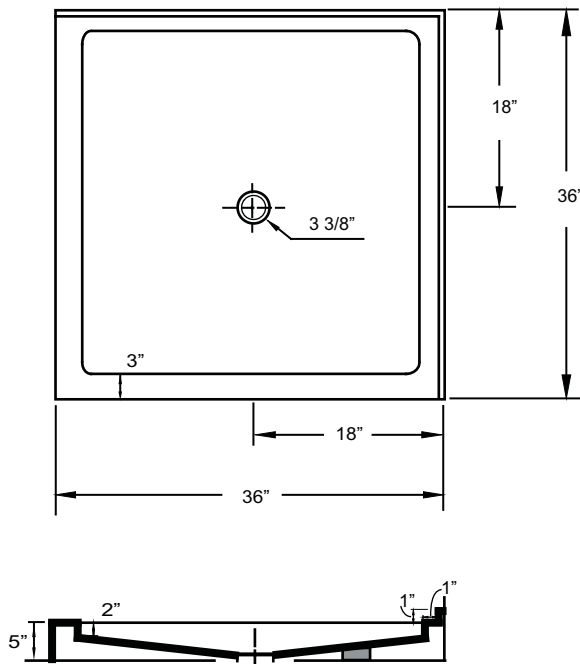
## 36" x 36" Double Threshold



\*1 year limited manufacturer's warranty included

\*Note: Shower base may not be exactly as pictured

### SHOWER BASE DIMENSIONS



\*Diagram is not to scale



This shower base complies with CSA Standards

\*Shower Drains are not included  
All measurements  $\pm 1/4"$

### DESIGN FEATURES

- Acrylic shower base constructed of cast high gloss acrylic and reinforced with a fibreglass backing
- Standard 3 3/8" shower drain opening
- Shower base trimmed to fit 36" x 36" rough opening
- Integral tiling flange for easy installation

### OPTIONS

- Available in;
  - White
  - Biscuit
  - Bone
  - Linen
- Compatible Shower Doors:
  - 9718DT (Section 18, Page 7)

In keeping with our policy of continuing product improvement, Acri-Tec Industries Corp., reserves the right to change product specifications without notice.

# Model

## 38" x 38" Double Threshold



\*1 year limited manufacturer's warranty included

\*Note: Shower base may not be exactly as pictured

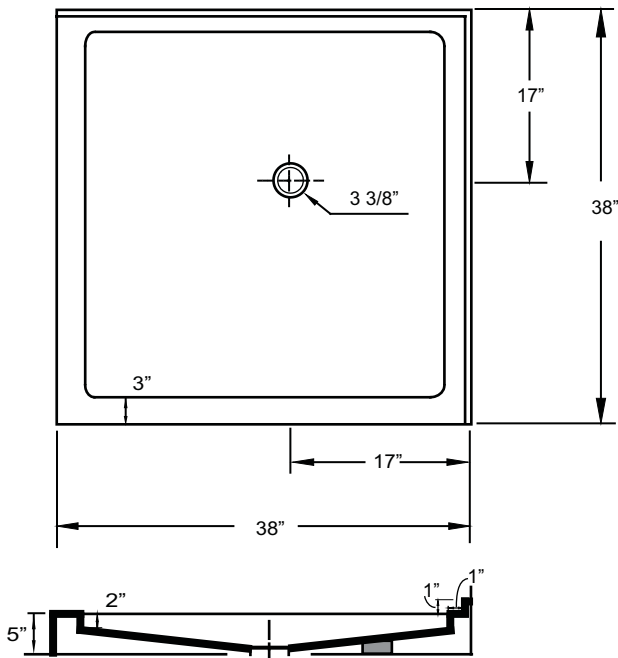
### DESIGN FEATURES

- Acrylic shower base constructed of cast high gloss acrylic and reinforced with a fibreglass backing
- Standard 3 3/8" shower drain opening
- Shower base trimmed to fit 38" x 38" rough opening
- Integral tiling flange for easy installation

### OPTIONS

- Available in;
  - White
  - Biscuit
  - Bone
  - Linen

### SHOWER BASE DIMENSIONS



\*Diagram is not to scale



This shower base complies with CSA Standards

\*Shower Drains are not included  
All measurements  $\pm 1/4"$

In keeping with our policy of continuing product improvement, Acri-Tec Industries Corp., reserves the right to change product specifications without notice.

# MODEL

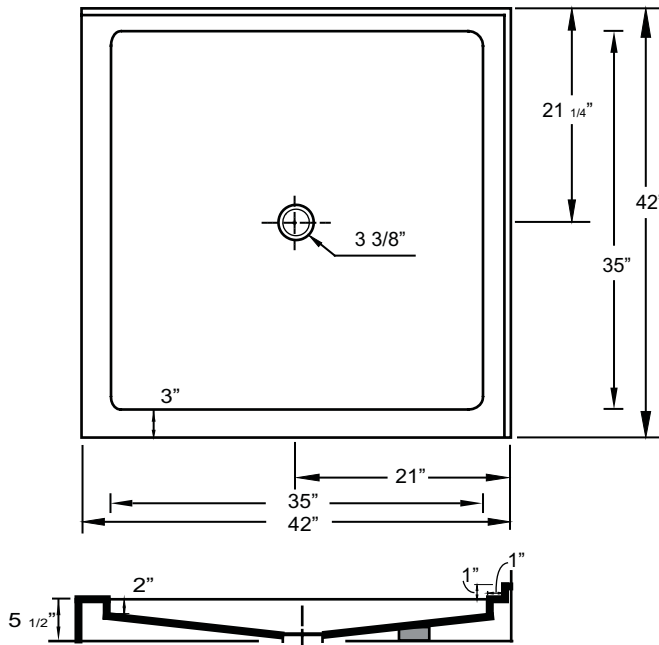
## 42" x 42" Double Threshold



\*1 year limited manufacturer's warranty included

\*Note: Shower base may not be exactly as pictured

### SHOWER BASE DIMENSIONS



\*Diagram is not to scale



This shower base complies with CSA Standards

\*Shower Drains are not included  
All measurements  $\pm 1/4$ "

### DESIGN FEATURES

- Acrylic shower base constructed of cast high gloss acrylic and reinforced with a fibreglass backing
- Standard 3 3/8" shower drain opening
- Shower base trimmed to fit 42" x 42" rough opening
- Integral tiling flange for easy installation

### OPTIONS

- Available in;
  - White
  - Biscuit
  - Bone
  - Linen
- Compatible Shower Doors:
  - 9748DT (Section 18, Page 7)

In keeping with our policy of continuing product improvement, Acri-Tec Industries Corp., reserves the right to change product specifications without notice.

# MODEL

## 48" x 48" Double Threshold Low Profile



\*1 year limited manufacturer's warranty included

\*Note: Shower base may not be exactly as pictured

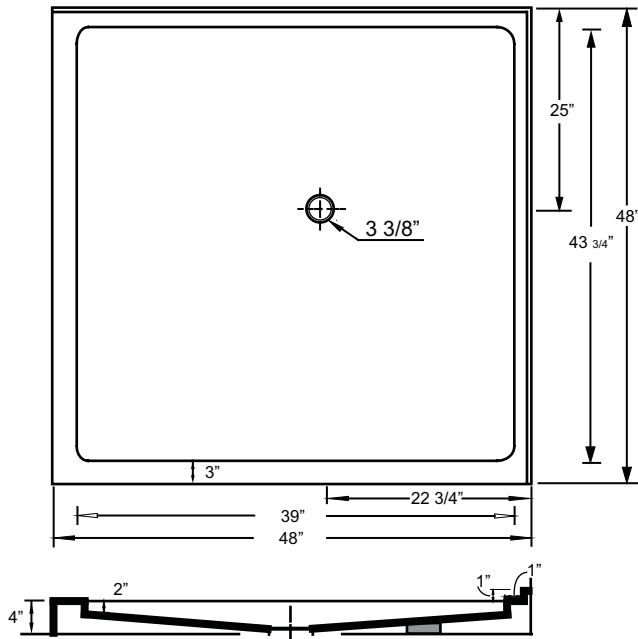
### DESIGN FEATURES

- Acrylic shower base constructed of cast high gloss acrylic and reinforced with a fibreglass backing
- Standard 3 3/8" shower drain opening
- Shower base trimmed to fit 48" x 48" rough opening
- Integral tiling flange for easy installation

### OPTIONS

- Available in;
  - White
  - Biscuit
  - Bone
  - Linen

### SHOWER BASE DIMENSIONS



\*Diagram is not to scale



This shower base complies with CSA Standards

\*Shower Drains are not included  
All measurements  $\pm 1/4$ "

In keeping with our policy of continuing product improvement, Acric-Tec Industries Corp., reserves the right to change product specifications without notice.

# MODEL

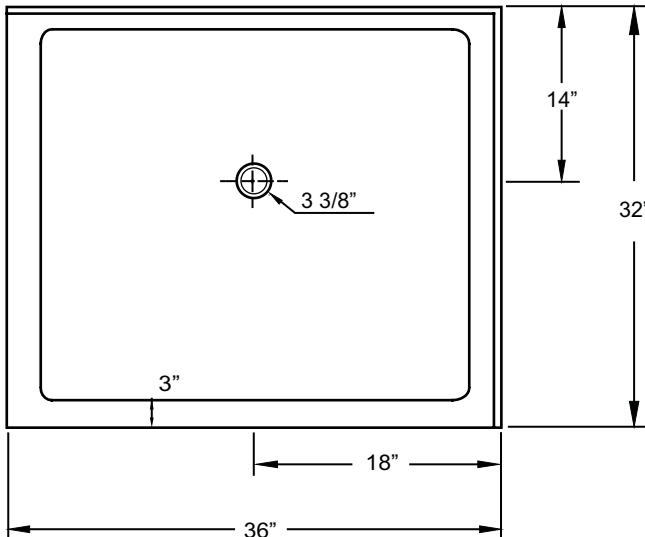
## 36" x 32" Double Threshold



- \*Right Hand Threshold pictured
- \*1 year limited manufacturer's warranty included
- \*Note: Shower base may not be exactly as pictured

### SHOWER BASE DIMENSIONS

\*Left Hand Threshold drawing



\*Diagram is not to scale



This shower base complies with CSA Standards

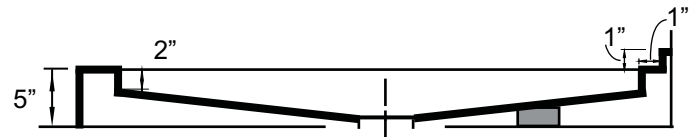
\*Shower Drains are not included  
All measurements  $\pm 1/4"$

### DESIGN FEATURES

- Acrylic shower base constructed of cast high gloss acrylic and reinforced with a fibreglass backing
- Available in left hand or right hand threshold configuration
- Standard 3 3/8" shower drain opening
- Shower base trimmed to fit 36" x 32" rough opening
- Integral tiling flange for easy installation

### OPTIONS

- Available in;
  - White
  - Biscuit
  - Bone
  - Linen
- Compatible Shower Doors:
  - 9718DT (Section 18, Page 7)



In keeping with our policy of continuing product improvement, Acric-Tec Industries Corp., reserves the right to change product specifications without notice.

# MODEL

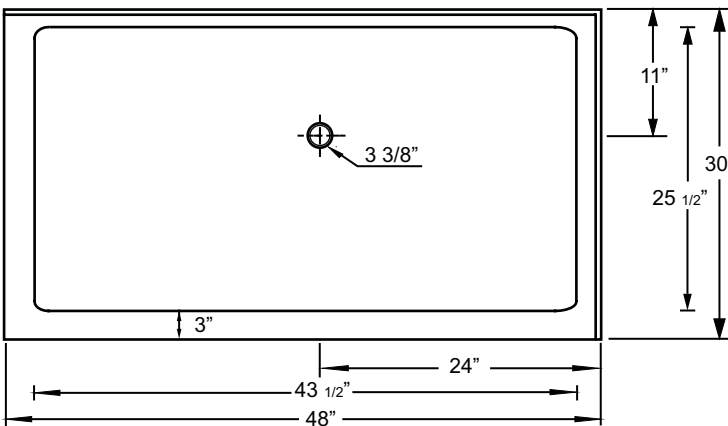
## 48" x 30" Double Threshold Low Profile



- \*Right Hand Threshold pictured
- \*1 year limited manufacturer's warranty included
- \*Note: Above picture may not be exact size

### SHOWER BASE DIMENSIONS

\*Left Hand Threshold drawing

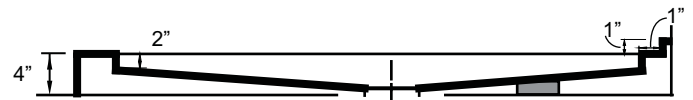


### DESIGN FEATURES

- Acrylic shower base constructed of cast high gloss acrylic and reinforced with a fibreglass backing
- Available in left hand or right hand threshold configuration
- Standard 3 3/8" shower drain opening
- Shower base trimmed to fit 48" x 30" rough opening
- Integral tiling flange for easy installation

### OPTIONS

- Available in;
  - White
  - Biscuit
  - Bone
  - Linen
- Compatible Shower Doors:
  - CPL109DT (Section 18, Page 9)



\*Diagram is not to scale  
This shower base complies with CSA Standards

\*Shower Drains are not included  
All measurements  $\pm 1/4"$

In keeping with our policy of continuing product improvement, Acric-Tec Industries Corp., reserves the right to change product specifications without notice.

# MODEL

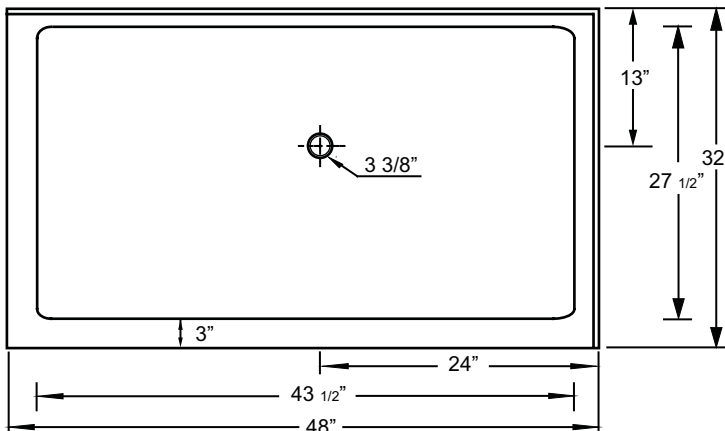
## 48" x 32" Double Threshold Low Profile



- \*Right Hand Threshold pictured
- \*1 year limited manufacturer's warranty included
- \*Note: Above picture may not be exact size

### SHOWER BASE DIMENSIONS

\*Left Hand Threshold drawing

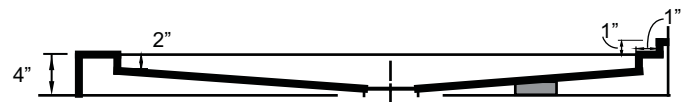


### DESIGN FEATURES

- Acrylic shower base constructed of cast high gloss acrylic and reinforced with a fibreglass backing
- Available in left hand or right hand threshold configuration
- Standard 3 3/8" shower drain opening
- Shower base trimmed to fit 48" x 32" rough opening
- Integral tiling flange for easy installation

### OPTIONS

- Available in;
  - White
  - Biscuit
  - Bone
  - Linen
- Compatible Shower Doors:
  - CPL109DT (Section 18, Page 9)
  - 9749DT (Section 18, Page 7)



This shower base complies with CSA Standards

\*Diagram is not to scale

\*Shower Drains are not included  
All measurements  $\pm 1/4"$

In keeping with our policy of continuing product improvement, Acric-Tec Industries Corp., reserves the right to change product specifications without notice.

# MODEL

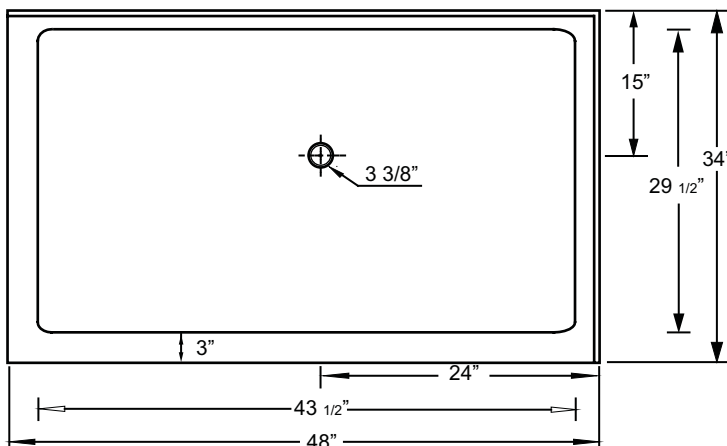
## 48" x 34" Double Threshold Low Profile



- \*Right Hand Threshold pictured
- \*1 year limited manufacturer's warranty included
- \*Note: Above picture may not be exact size

### SHOWER BASE DIMENSIONS

\*Left Hand Threshold drawing

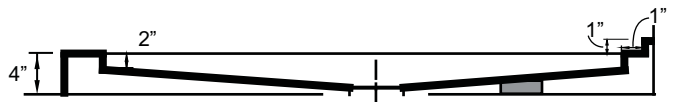


### DESIGN FEATURES

- Acrylic shower base constructed of cast high gloss acrylic and reinforced with a fibreglass backing
- Available in left hand or right hand threshold configuration
- Standard 3 3/8" shower drain opening
- Shower base trimmed to fit 48" x 34" rough opening
- Integral tiling flange for easy installation

### OPTIONS

- Available in;
  - White
  - Biscuit
  - Bone
  - Linen
- Compatible Shower Doors:
  - CPL109DT (Section 18, Page 9)



This shower base complies with CSA Standards

\*Diagram is not to scale

\*Shower Drains are not included  
All measurements  $\pm 1/4"$

In keeping with our policy of continuing product improvement, Acric-Tec Industries Corp., reserves the right to change product specifications without notice.

# MODEL

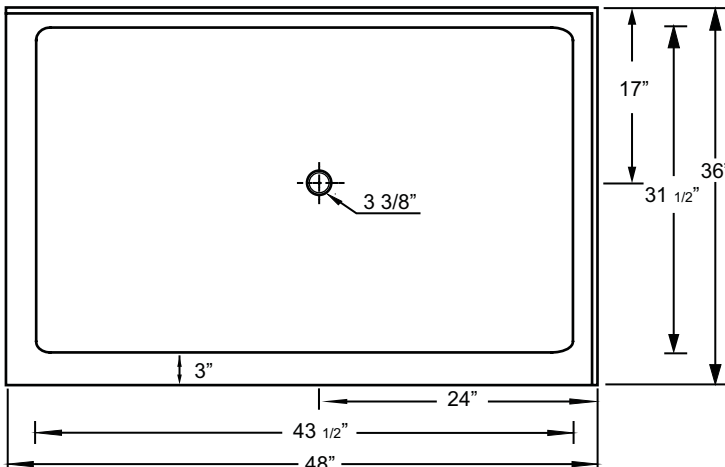
## 48" x 36" Double Threshold Low Profile



- \*Right Hand Threshold pictured
- \*1 year limited manufacturer's warranty included
- \*Note: Above picture may not be exact size

### SHOWER BASE DIMENSIONS

\*Left Hand Threshold drawing



\*Diagram is not to scale



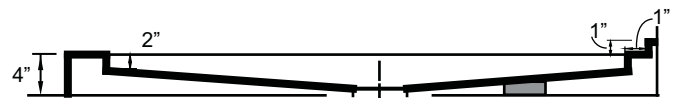
This shower base complies with CSA Standards

### DESIGN FEATURES

- Acrylic shower base constructed of cast high gloss acrylic and reinforced with a fibreglass backing
- Available in left hand or right hand threshold configuration
- Standard 3 3/8" shower drain opening
- Shower base trimmed to fit 48" x 36" rough opening
- Integral tiling flange for easy installation

### OPTIONS

- Available in;
  - White
  - Biscuit
  - Bone
  - Linen
- Compatible Shower Doors:
  - CPL109DT (Section 18, Page 9)
  - 9749DT (Section 18, Page 8)



\*Shower Drains are not included  
All measurements  $\pm 1/4"$

In keeping with our policy of continuing product improvement, Acric-Tec Industries Corp., reserves the right to change product specifications without notice.

# MODEL

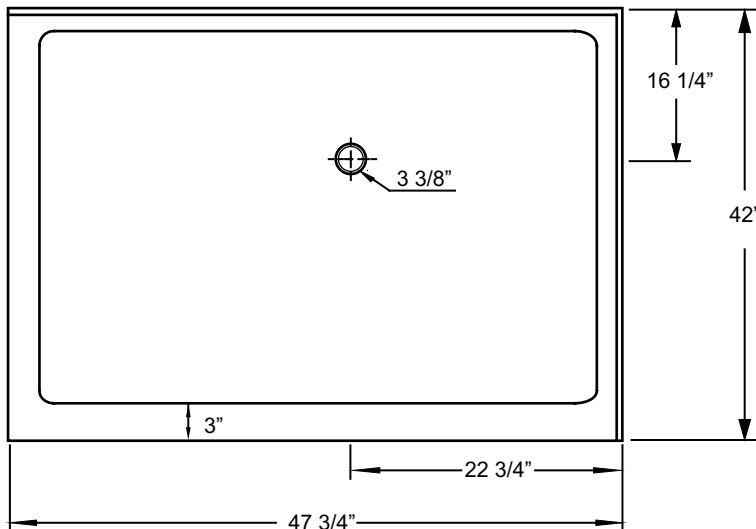
## 48" x 42" Double Threshold Low Profile



- \*Right Hand Threshold pictured
- \*1 year limited manufacturer's warranty included
- \*Note: Above picture may not be exact size

### SHOWER BASE DIMENSIONS

\*Left Hand Threshold drawing



\*Diagram is not to scale



This shower base complies with CSA Standards

\*Shower Drains are not included  
All measurements  $\pm 1/4"$

### DESIGN FEATURES

- Acrylic shower base constructed of cast high gloss acrylic and reinforced with a fibreglass backing
- Available in left hand or right hand threshold configuration
- Standard 3 3/8" shower drain opening
- Shower base trimmed to fit 48" x 42" rough opening
- Integral tiling flange for easy installation

### OPTIONS

- Available in;
  - White
  - Biscuit
  - Bone
  - Linen
- Compatible Shower Doors:
  - 9749DT (Section 18, Page 8)



In keeping with our policy of continuing product improvement, Acric-Tec Industries Corp., reserves the right to change product specifications without notice.

# MODEL

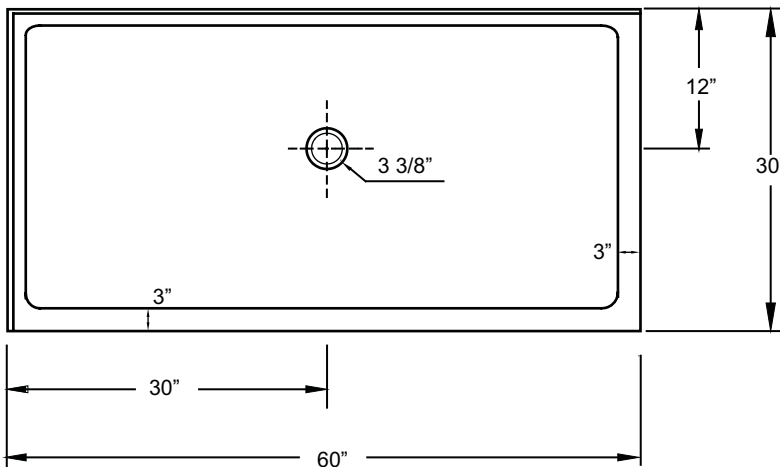
## 60" x 30" Double Threshold Low Profile



- \*Right Hand Threshold pictured
- \*1 year limited manufacturer's warranty included
- \*Note: Above picture may not be exact size

### SHOWER BASE DIMENSIONS

\*Right Hand Threshold drawing



### DESIGN FEATURES

- Acrylic shower base constructed of cast high gloss acrylic and reinforced with a fibreglass backing
- Available in left hand or right hand threshold configuration
- Standard 3 3/8" shower drain opening
- Shower base trimmed to fit 60" x 30" rough opening
- Integral tiling flange for easy installation

### OPTIONS

- Available in;
  - White
  - Biscuit
  - Bone
  - Linen
- Compatible Shower Doors:
  - CPL109DT (Section 18, Page 9)



This shower base complies with CSA Standards

\*Diagram is not to scale

\*Shower Drains are not included  
All measurements  $\pm 1/4"$

In keeping with our policy of continuing product improvement, Acric-Tec Industries Corp., reserves the right to change product specifications without notice.

# MODEL

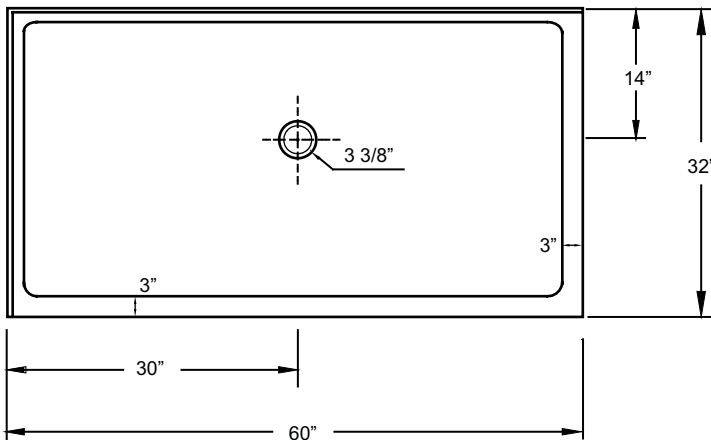
## 60" x 32" Double Threshold Low Profile



- \*Right Hand Threshold pictured
- \*1 year limited manufacturer's warranty included
- \*Note: Above picture may not be exact size

### SHOWER BASE DIMENSIONS

\*Right Hand Threshold drawing



\*Diagram is not to scale



This shower base complies with CSA Standards

\*Shower Drains are not included  
All measurements  $\pm 1/4"$

### DESIGN FEATURES

- Acrylic shower base constructed of cast high gloss acrylic and reinforced with a fibreglass backing
- Available in left hand or right hand threshold configuration
- Standard 3 3/8" shower drain opening
- Shower base trimmed to fit 60" x 32" rough opening
- Integral tiling flange for easy installation

### OPTIONS

- Available in;
  - White
  - Biscuit
  - Bone
  - Linen
- Compatible Shower Doors:
  - CPL109DT (Section 18, Page 9)
  - 9749DT (Section 18, Page 8)



In keeping with our policy of continuing product improvement, Acric-Tec Industries Corp., reserves the right to change product specifications without notice.

# MODEL

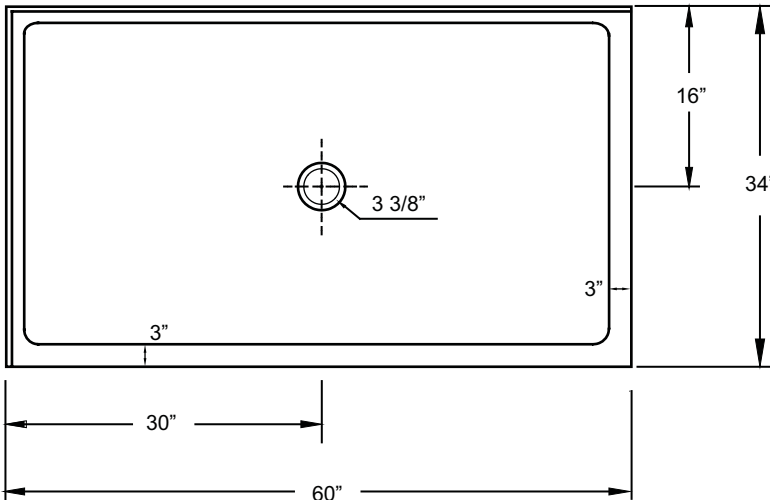
## 60" x 34" Double Threshold Low Profile



- \*Right Hand Threshold pictured
- \*1 year limited manufacturer's warranty included
- \*Note: Above picture may not be exact size

### SHOWER BASE DIMENSIONS

\*Right Hand Threshold drawing

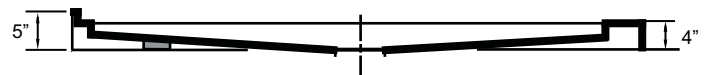


### DESIGN FEATURES

- Acrylic shower base constructed of cast high gloss acrylic and reinforced with a fibreglass backing
- Available in left hand or right hand threshold configuration
- Standard 3 3/8" shower drain opening
- Shower base trimmed to fit 60" x 34" rough opening
- Integral tiling flange for easy installation

### OPTIONS

- Available in;
  - White
  - Biscuit
  - Bone
  - Linen
- Compatible Shower Doors:
  - CPL109DT (Section 18, Page 9)
  - 9749DT (Section 18, Page 8)



This shower base complies with CSA Standards

\*Diagram is not to scale

\*Shower Drains are not included  
All measurements  $\pm 1/4"$

In keeping with our policy of continuing product improvement, Acri-Tec Industries Corp., reserves the right to change product specifications without notice.

# MODEL

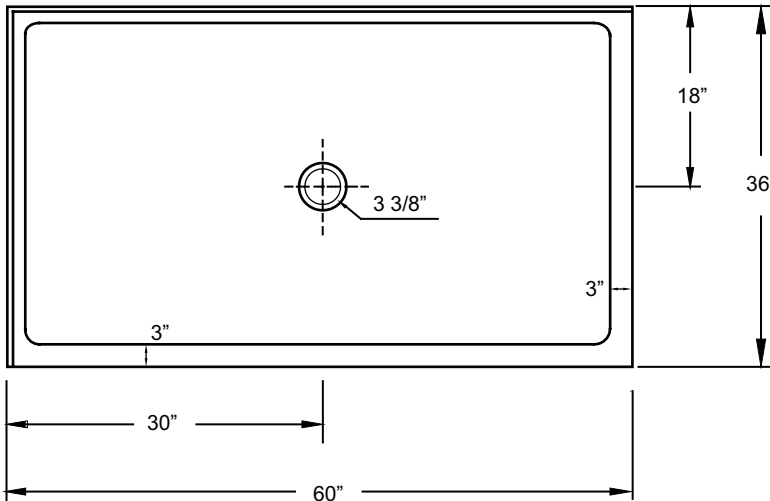
## 60" x 36" Double Threshold Low Profile



- \*Right Hand Threshold pictured
- \*1 year limited manufacturer's warranty included
- \*Note: Above picture may not be exact size

### SHOWER BASE DIMENSIONS

\*Right Hand Threshold drawing

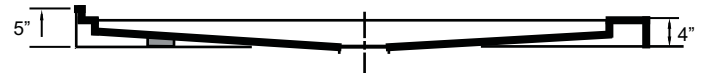


### DESIGN FEATURES

- Acrylic shower base constructed of cast high gloss acrylic and reinforced with a fibreglass backing
- Available in left hand or right hand threshold configuration
- Standard 3 3/8" shower drain opening
- Shower base trimmed to fit 60" x 36" rough opening
- Integral tiling flange for easy installation

### OPTIONS

- Available in;
  - White
  - Biscuit
  - Bone
  - Linen
- Compatible Shower Doors:
  - CPL109DT (Section 18, Page 9)
  - 9749DT (Section 18, Page 8)



This shower base complies with CSA Standards

\*Diagram is not to scale

\*Shower Drains are not included  
All measurements  $\pm 1/4"$

In keeping with our policy of continuing product improvement, Acric-Tec Industries Corp., reserves the right to change product specifications without notice.