

Shower Bases - Round Front

| | |
|---|----|
| 32" x 32" | 1 |
| 32" x 32" Unique (68232) | 2 |
| 36" x 36" Unique (68236) | 3 |
| 36" x 36" Unique (65236) Minimalist | 4 |
| 38" x 38" Unique (68238) | 5 |
| 40" x 40" Unique (68240) | 6 |
| 36" x 36" Unique (68636) Belly | 7 |
| 36" x 36" Unique (65636) Belly Minimalist | 8 |
| Baby Shower/Tub (68936) | 9 |
| Wedgewood (68921) | 10 |
| Walk-In Rectangular Base (62194) | 11 |

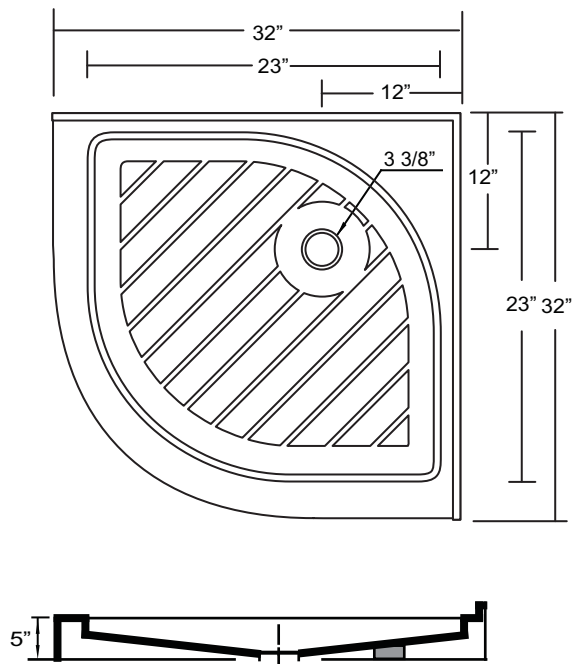
Model 32" x 32" Round



*1 year limited manufacturer's warranty included

*Note: Shower base may not be exactly as pictured

SHOWER BASE DIMENSIONS



*Diagram is not to scale



This shower base complies with CSA Standards

*Shower Drains are not included
All measurements $\pm 1/4"$

DESIGN FEATURES

- Acrylic shower base constructed of cast high gloss acrylic and reinforced with a fibreglass backing
- Standard 3 3/8" shower drain opening
- Shower base trimmed to fit 32" x 32" rough opening
- Integral tiling flange for easy installation

OPTIONS

- Available in;
 - White
 - Biscuit
 - Bone
 - Linen
- Compatible Shower Doors:
 - 962132 (Section 19, Page 3)

In keeping with our policy of continuing product improvement, Acritec Industries Corp., reserves the right to change product specifications without notice.

68232

32" x 32" Unique Round



*1 year limited manufacturer's warranty included

*Note: Shower base may not be exactly as pictured

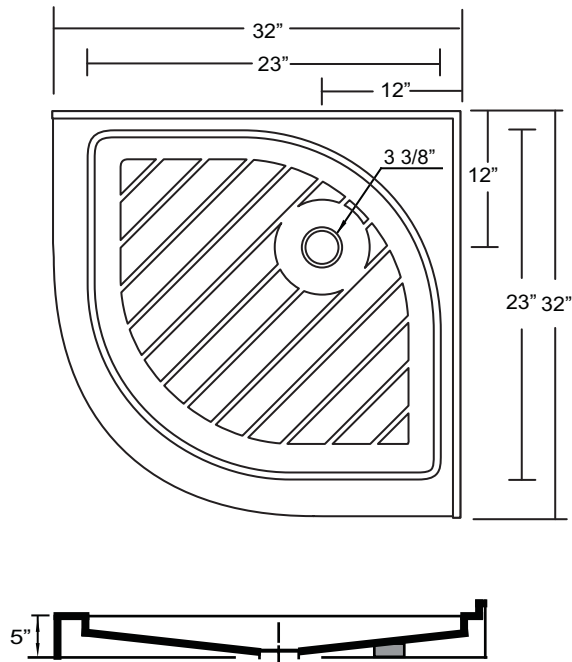
DESIGN FEATURES

- Acrylic shower base constructed of cast high gloss acrylic and reinforced with a fibreglass backing
- Standard 3 3/8" shower drain opening
- Shower base trimmed to fit 32" x 32" rough opening
- Integral tiling flange for easy installation

OPTIONS

- Available in;
 - White
- Compatible Shower Doors:
 - 962132 (Section 19, Page 3)

SHOWER BASE DIMENSIONS



*Diagram is not to scale



This shower base complies with CSA Standards

*Shower Drains are not included
All measurements $\pm 1/4"$

In keeping with our policy of continuing product improvement, Acric-Tec Industries Corp., reserves the right to change product specifications without notice.

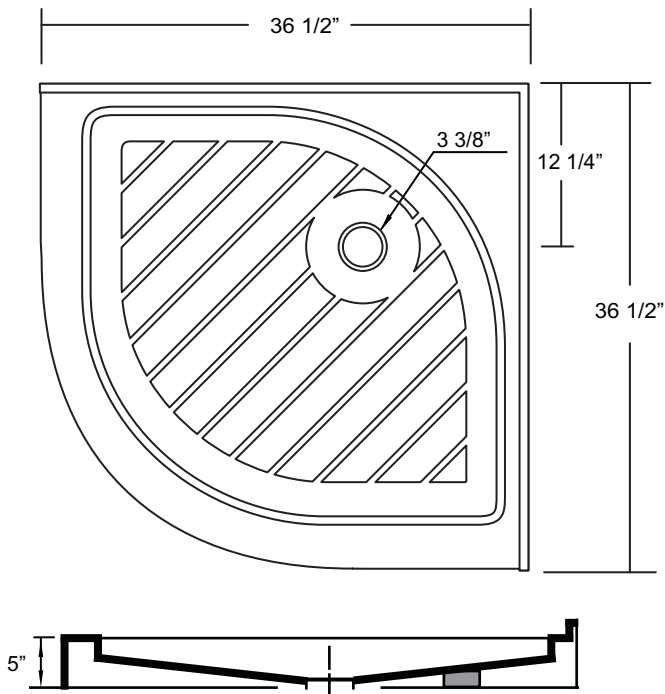
68236

36" x 36" Unique Round



*1 year limited manufacturer's warranty included
*Note: Shower base may not be exactly as pictured

SHOWER BASE DIMENSIONS



*Diagram is not to scale



This shower base complies with CSA Standards

*Shower Drains are not included
All measurements $\pm 1/4$ "

DESIGN FEATURES

- Acrylic shower base constructed of cast high gloss acrylic and reinforced with a fibreglass backing
- Standard 3 3/8" shower drain opening
- Shower base trimmed to fit 36" x 36" rough opening
- Integral tiling flange for easy installation

OPTIONS

- Available in;
 - White
 - Biscuit
 - Bone
 - Linen
- Compatible Shower Doors:
 - 962136 (Section 19, Page 3)
 - 972536 (Section 19, Page 4)

In keeping with our policy of continuing product improvement, Acri-Tec Industries Corp., reserves the right to change product specifications without notice.

65236

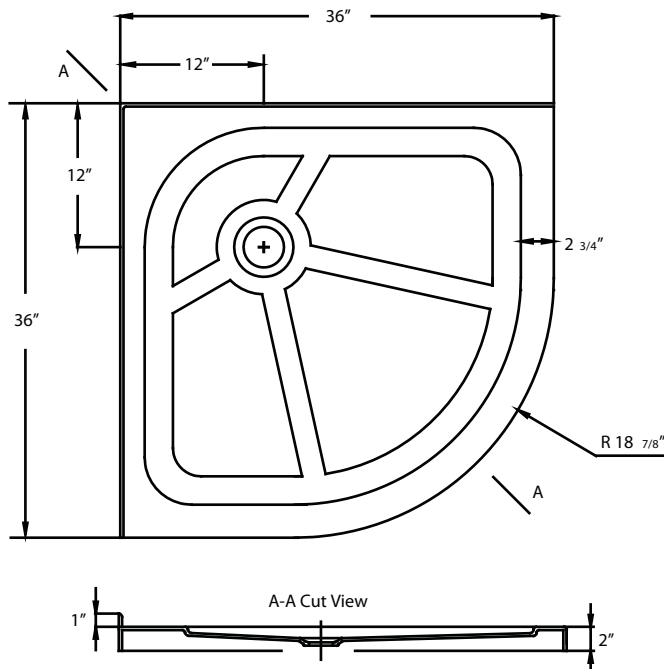
36" x 36" Unique Round Minimalist



*1 year limited manufacturer's warranty included

*Note: Shower base may not be exactly as pictured

SHOWER BASE DIMENSIONS



*Diagram is not to scale



This shower base complies with CSA Standards

*Shower Drains are not included
All measurements $\pm 1/4$ "

DESIGN FEATURES

- Acrylic shower base constructed of cast high gloss acrylic and reinforced with a fibreglass backing
- Standard 3 3/8" shower drain opening
- Shower base trimmed to fit 36" x 36" rough opening
- Integral tiling flange for easy installation

OPTIONS

- Available in;
 - White
- Compatible Shower Doors:
 - 962136 (Section 19, Page 3)
 - 972536 (Section 19, Page 4)

In keeping with our policy of continuing product improvement, Acritec Industries Corp., reserves the right to change product specifications without notice.

68238

38" x 38" Unique Round



*1 year limited manufacturer's warranty included

*Note: Shower base may not be exactly as pictured

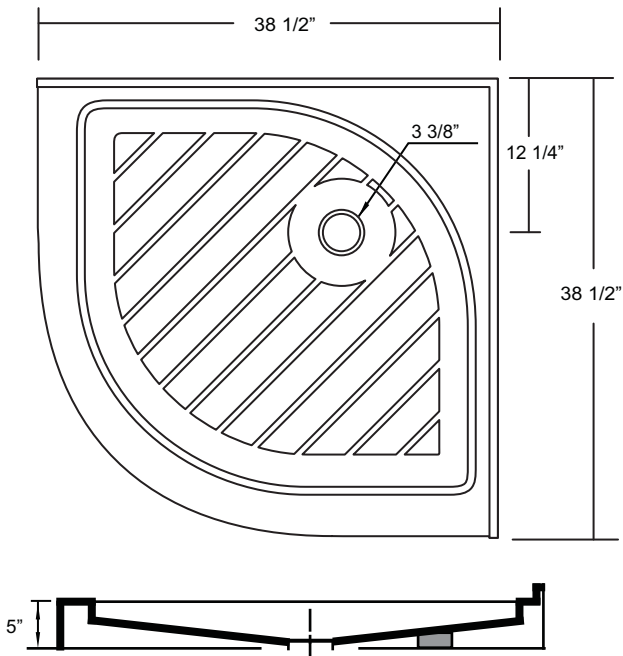
DESIGN FEATURES

- Acrylic shower base constructed of cast high gloss acrylic and reinforced with a fibreglass backing
- Standard 3 3/8" shower drain opening
- Shower base trimmed to fit 38" x 38" rough opening
- Integral tiling flange for easy installation

OPTIONS

- Available in;
 - White
- Compatible Shower Doors:
 - 962138 (Section 19, Page 3)
 - 972538 (Section 19, Page 4)

SHOWER BASE DIMENSIONS



*Diagram is not to scale



This shower base complies with CSA Standards

*Shower Drains are not included
All measurements $\pm 1/4$ "

In keeping with our policy of continuing product improvement, Acritec Industries Corp., reserves the right to change product specifications without notice.

68240

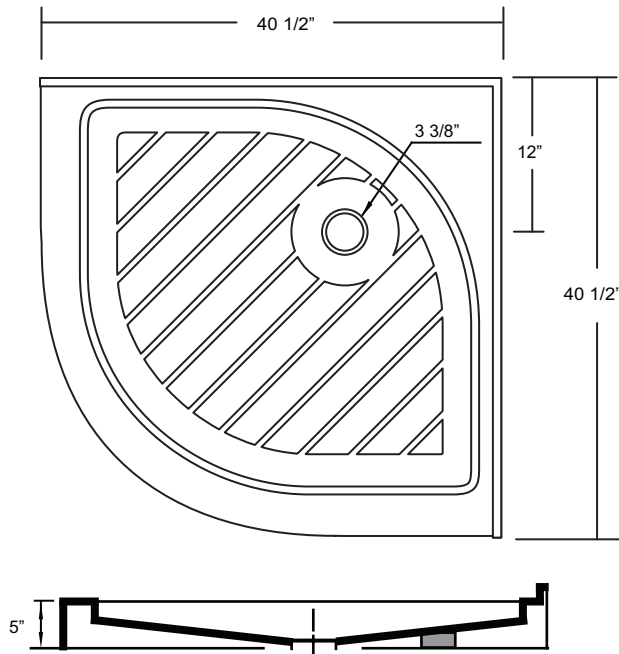
40" x 40" Unique Round



*1 year limited manufacturer's warranty included

*Note: Shower base may not be exactly as pictured

SHOWER BASE DIMENSIONS



*Diagram is not to scale



This shower base complies with CSA Standards

*Shower Drains are not included
All measurements $\pm 1/4"$

DESIGN FEATURES

- Acrylic shower base constructed of cast high gloss acrylic and reinforced with a fibreglass backing
- Standard 3 3/8" shower drain opening
- Shower base trimmed to fit 40" x 40" rough opening
- Integral tiling flange for easy installation

OPTIONS

- Available in;
 - White
 - Biscuit
 - Bone
 - Linen
- Compatible Shower Doors:
 - 962140 (Section 19, Page 3)
 - 972540 (Section 19, Page 4)

In keeping with our policy of continuing product improvement, Acric-Tec Industries Corp., reserves the right to change product specifications without notice.

68636

36" x 36" Round Front Belly Base



*1 year limited manufacturer's warranty included

*Note: Shower base may not be exactly as pictured

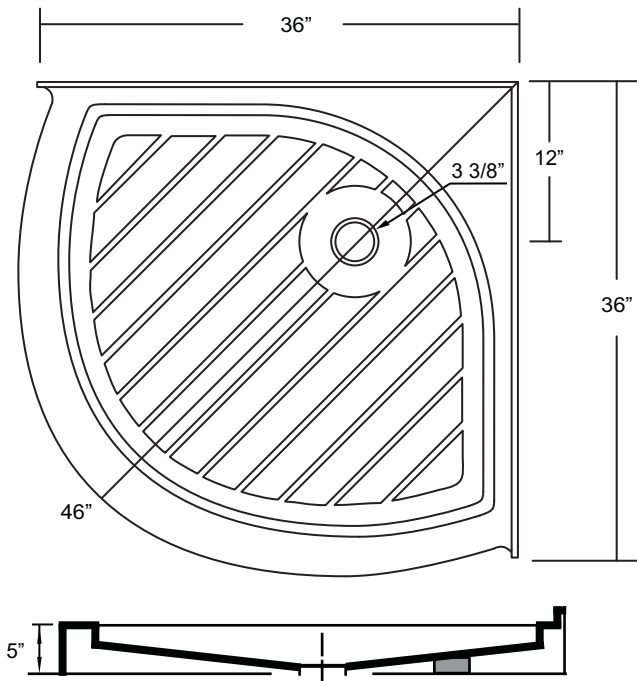
DESIGN FEATURES

- Acrylic shower base constructed of cast high gloss acrylic and reinforced with a fibreglass backing
- Standard 3 3/8" shower drain opening
- Shower base trimmed to fit 36" x 36" rough opening
- Integral tiling flange for easy installation

OPTIONS

- Available in;
 - White
- Compatible Shower Doors:
 - 2026A36 (Section 19, Page 5)

SHOWER BASE DIMENSIONS



*Diagram is not to scale



This shower base complies with CSA Standards

*Shower Drains are not included
All measurements $\pm 1/4$ "

In keeping with our policy of continuing product improvement, Acri-Tec Industries Corp., reserves the right to change product specifications without notice.

65636

36" x 36" Belly Base Minimalist



DESIGN FEATURES

- Acrylic shower base constructed of cast high gloss acrylic and reinforced with a fibreglass backing
- Standard 3 3/8" shower drain opening
- Shower base trimmed to fit 36" x 36" rough opening
- Integral tiling flange for easy installation

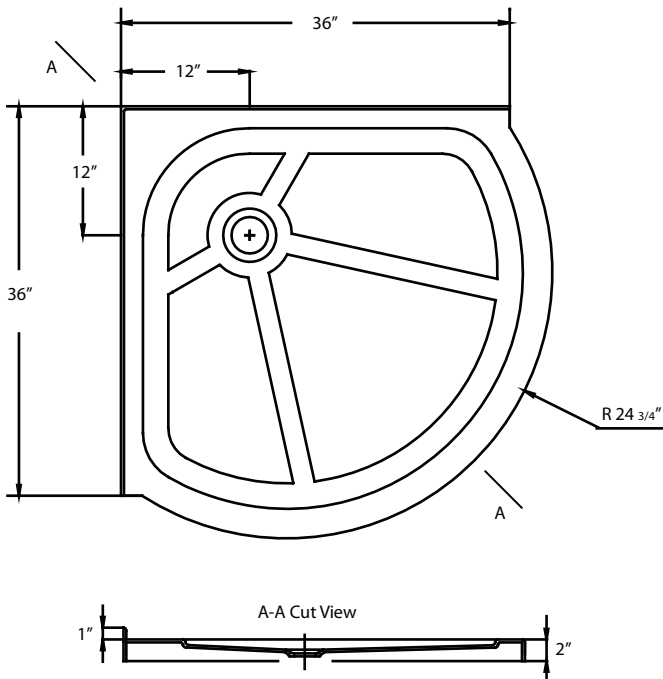
OPTIONS

- Available in;
 - White
- Compatible Shower Doors:
 - 2026A36 (Section 19, Page 5)

*1 year limited manufacturer's warranty included

*Note: Shower base may not be exactly as pictured

SHOWER BASE DIMENSIONS



*Diagram is not to scale



This shower base complies with CSA Standards

*Shower Drains are not included
All measurements $\pm 1/4"$

In keeping with our policy of continuing product improvement, Acric-Tec Industries Corp., reserves the right to change product specifications without notice.

68936

35 1/2" x 35 1/2"

Baby Shower/Tub



*1 year limited manufacturer's warranty included

*Note: Shower base may not be exactly as pictured

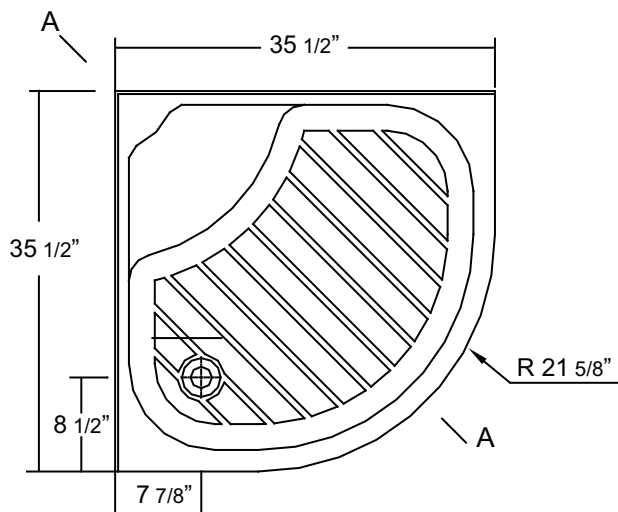
DESIGN FEATURES

- Acrylic shower base constructed of cast high gloss acrylic and reinforced with a fibreglass backing
- Standard 3 3/8" shower drain opening
- Shower base trimmed to fit 35 1/2" x 35 1/2" rough opening
- Integral tiling flange for easy installation

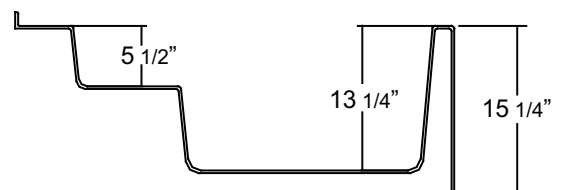
OPTIONS

- Available in;
 - White
- Compatible Shower Doors:
 - 9621A36 (Section 19, Page 3)

SHOWER BASE DIMENSIONS



A - A Cut View



*Diagram is not to scale
This shower base complies with CSA Standards

*Shower Drains are not included
All measurements $\pm 1/4"$

In keeping with our policy of continuing product improvement, Acritec Industries Corp., reserves the right to change product specifications without notice.

68921

47" x 34" Wedgewood Left Hand or Right Hand



*1 year limited manufacturer's warranty included

*Note: Shower base may not be exactly as pictured

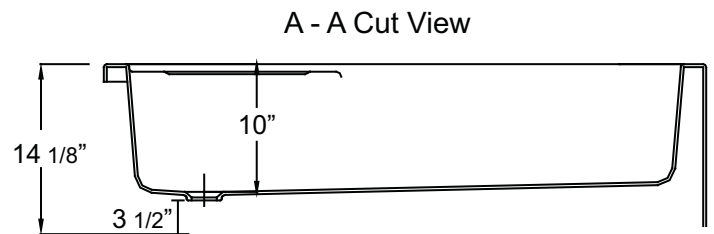
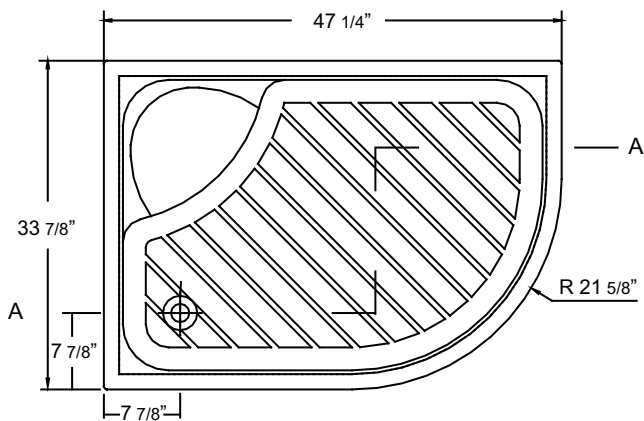
DESIGN FEATURES

- Acrylic shower base constructed of cast high gloss acrylic and reinforced with a fibreglass backing
- Shower base trimmed to fit 47" x 34" rough opening

OPTIONS

- Available in;
 - White
- Compatible Shower Doors:
 - HF2022B (Section 20, Page 6)

SHOWER BASE DIMENSIONS



*Shown as Left Hand drain



This shower base complies with CSA Standards

*Diagram is not to scale

*Shower Drains are not included
 All measurements $\pm 1/4"$

In keeping with our policy of continuing product improvement, Acric-Tec Industries Corp., reserves the right to change product specifications without notice.

62194

55 1/8" x 35 1/2"

Walk-In Rectangular Base



*1 year limited manufacturer's warranty included

*Note: Shower base may not be exactly as pictured

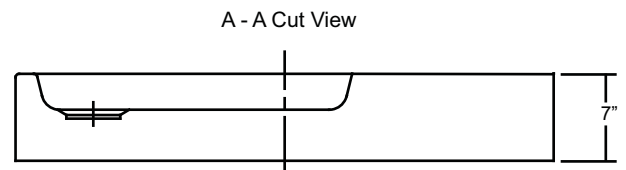
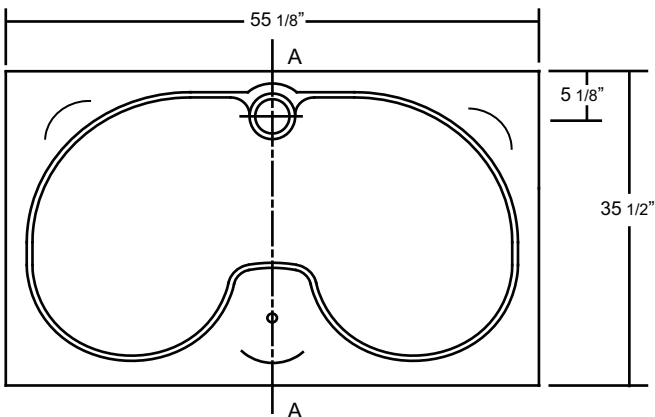
DESIGN FEATURES

- Acrylic shower base constructed of cast high gloss acrylic and reinforced with a fibreglass backing
- Standard 3 3/8" shower drain opening
- Shower base trimmed to fit 55 1/8" x 35 1/2" rough opening
- Integral tiling flange for easy installation

OPTIONS

- Available in;
 - White
- Compatible Shower Doors:
 - 2521 (Section 20, Page 3)
 - 2520 (Section 20, Page 4)

SHOWER BASE DIMENSIONS



This shower base complies with CSA Standards

*Diagram is not to scale

*Shower Drains are not included
All measurements $\pm 1/4$ "

In keeping with our policy of continuing product improvement, Acric-Tec Industries Corp., reserves the right to change product specifications without notice.