



Shower Bases - Neo Angle

34" x 34" _____	1
36" x 36" _____	2
36" x 36" Unique (68336) _____	3
36" x 36" Saniflo _____	4
38" x 38" _____	5
38" x 38" Unique (68338) _____	6
38" x 38" Saniflo _____	7
40" x 40" Unique (68340) _____	8
42" x 42" _____	9
42" x 42" Unique (68342) _____	10
48" x 48" Opulence _____	11

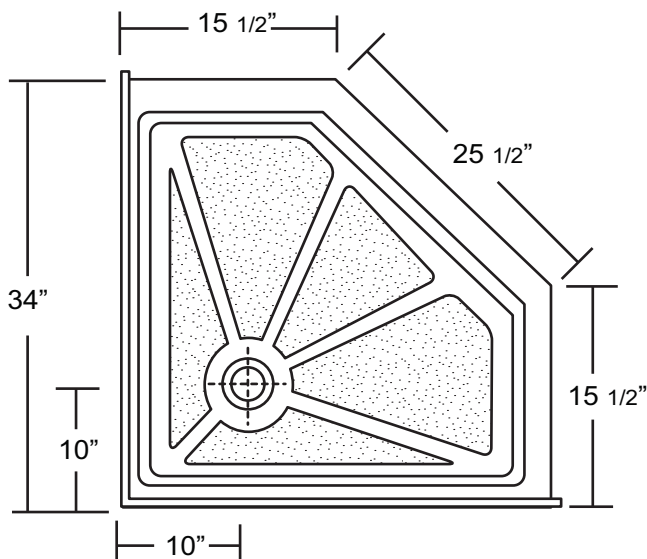
MODEL 34" x 34" NEO ANGLE



*1 year limited manufacturer's warranty included

*Note: Shower base may not be exactly as pictured

SHOWER BASE DIMENSIONS

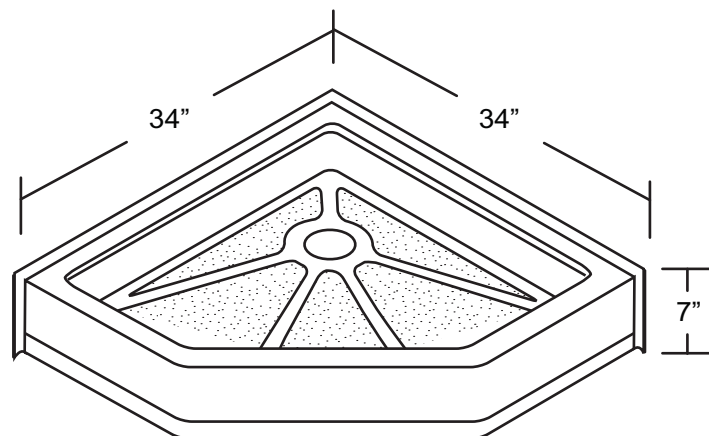


DESIGN FEATURES

- Acrylic shower base constructed of cast high gloss acrylic and reinforced with a fibreglass backing
- Standard 3 3/8" shower drain opening
- Shower base trimmed to fit 34" x 34" rough opening
- Integral tiling flange for easy installation

OPTIONS

- Available in;
 - White
 - Biscuit
 - Bone
 - Linen
- Compatible Shower Doors:
 - 9731T34 (Section 19, Page 1)



This shower base complies with CSA Standards

*Diagram is not to scale

*Shower Drains are not included
All measurements $\pm 1/4"$

In keeping with our policy of continuing product improvement, Acri-Tec Industries Corp., reserves the right to change product specifications without notice.

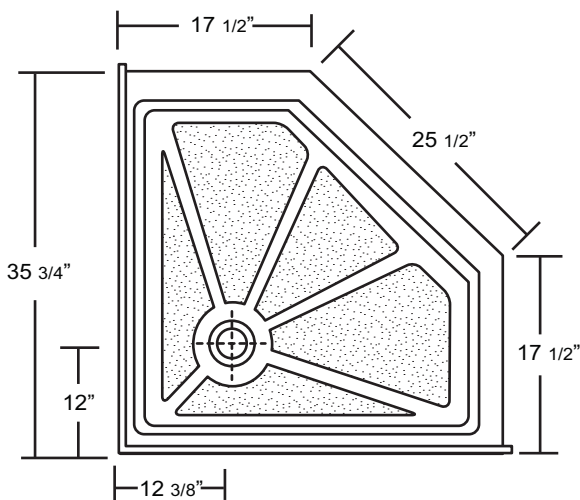
MODEL 36" x 36" NEO ANGLE



*1 year limited manufacturer's warranty included

*Note: Shower base may not be exactly as pictured

SHOWER BASE DIMENSIONS



*Diagram is not to scale



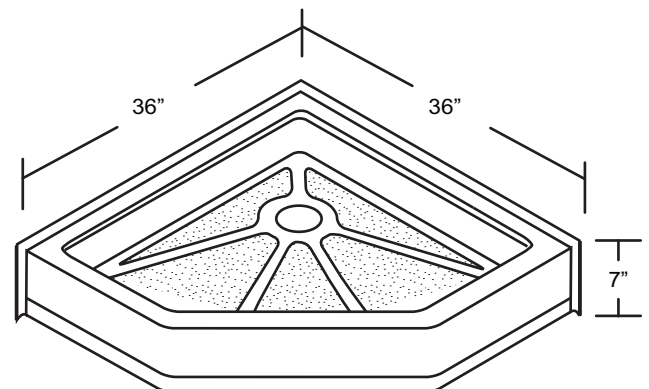
This shower base complies with CSA Standards

DESIGN FEATURES

- Acrylic shower base constructed of cast high gloss acrylic and reinforced with a fibreglass backing
- Standard 3 3/8" shower drain opening
- Shower base trimmed to fit 36" x 36" rough opening
- Integral tiling flange for easy installation

OPTIONS

- Available in;
 - White
 - Biscuit
 - Bone
 - Linen
- Compatible Shower Doors:
 - 9731T36 (Section 19, Page 1)
 - YT30136 (Section 19, Page 2)



*Shower Drains are not included
All measurements $\pm 1/4"$

In keeping with our policy of continuing product improvement, Acric-Tec Industries Corp., reserves the right to change product specifications without notice.

68336

36" x 36" Neo Angle Unique



*1 year limited manufacturer's warranty included

*Note: Shower base may not be exactly as pictured

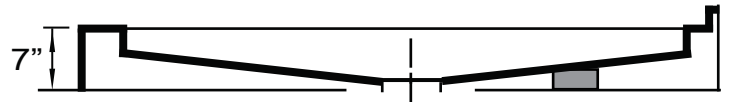
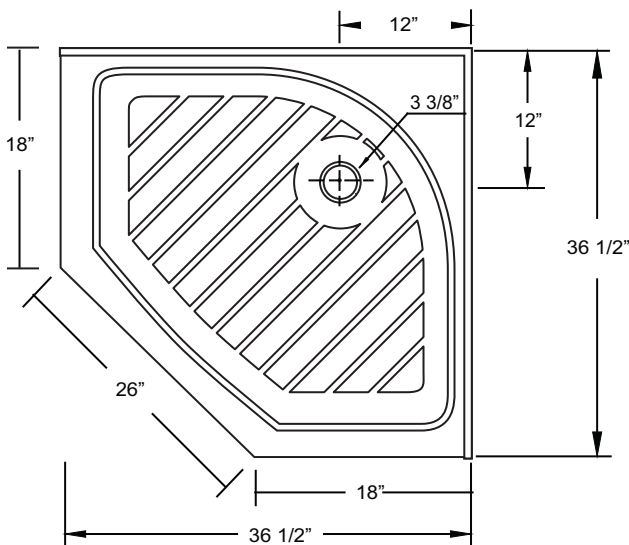
DESIGN FEATURES

- Acrylic shower base constructed of cast high gloss acrylic and reinforced with a fibreglass backing
- Standard 3 3/8" shower drain opening
- Shower base trimmed to fit 36" x 36" rough opening
- Integral tiling flange for easy installation

OPTIONS

- Available in;
 - White
- Compatible Shower Doors:
 - 9731T36 (Section 19, Page 1)
 - YT30136 (Section 19, Page 2)

SHOWER BASE DIMENSIONS



*Diagram is not to scale



This shower base complies with CSA Standards

*Shower Drains are not included
All measurements $\pm 1/4"$

In keeping with our policy of continuing product improvement, Acri-Tec Industries Corp., reserves the right to change product specifications without notice.

MODEL

36" x 36" Saniflo



*1 year limited manufacturer's warranty included

*Note: Shower base may not be exactly as pictured

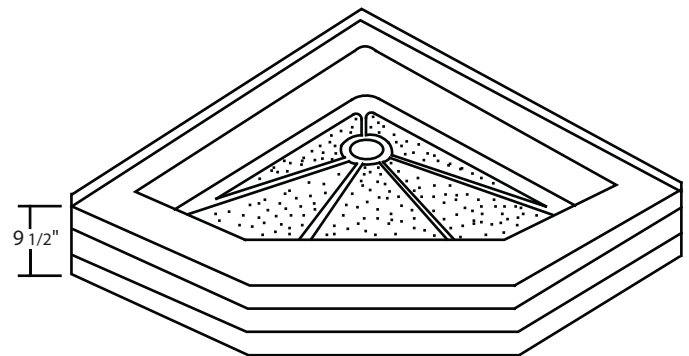
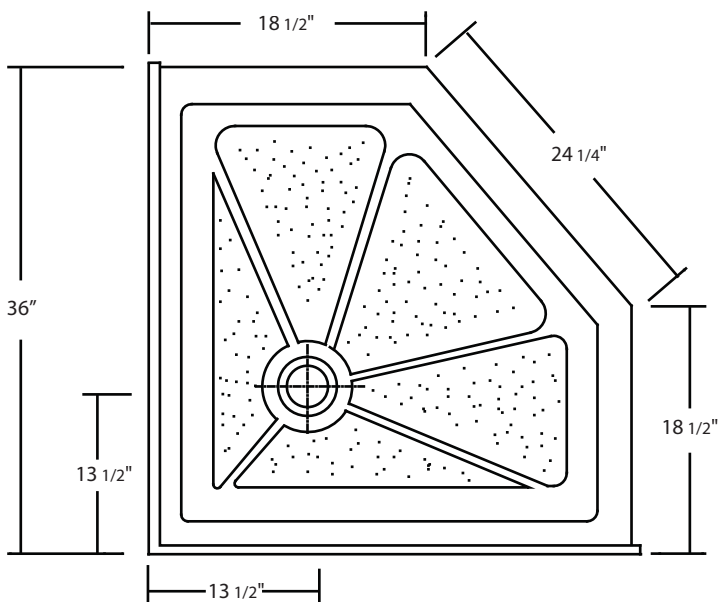
DESIGN FEATURES

- Acrylic shower base constructed of cast high gloss acrylic and reinforced with a fibreglass backing
- Standard 3 3/8" shower drain opening
- Shower base trimmed to fit 36" x 36" rough opening
- Integral tiling flange for easy installation
- Floor of the base is elevated to allow room to install the shower drain plumbing

OPTIONS

- Available in;
 - White

SHOWER BASE DIMENSIONS



This shower base complies with CSA Standards

*Diagram is not to scale

*Shower Drains are not included
All measurements $\pm 1/4"$

In keeping with our policy of continuing product improvement, Acri-Tec Industries Corp., reserves the right to change product specifications without notice.

MODEL

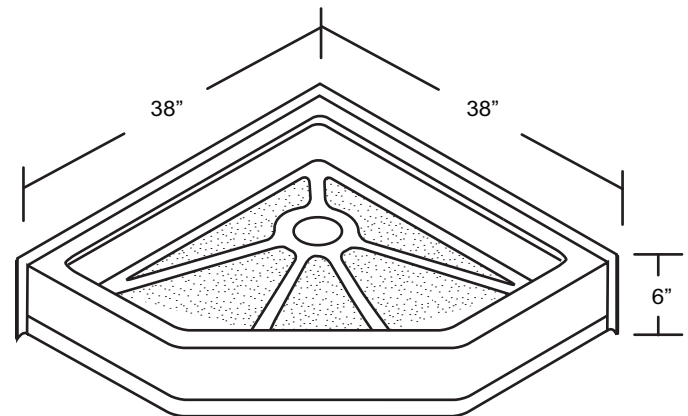
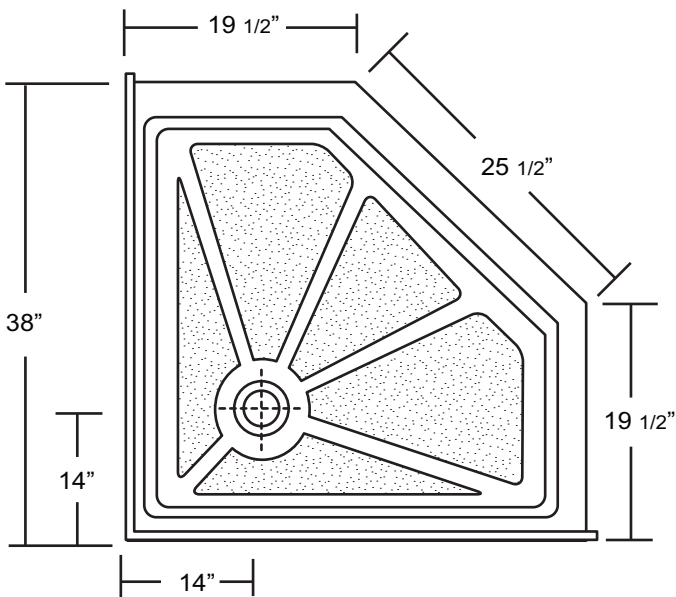
38" x 38" Neo Angle



*1 year limited manufacturer's warranty included

*Note: Shower base may not be exactly as pictured

SHOWER BASE DIMENSIONS



*Diagram is not to scale



This shower base complies with CSA Standards

*Shower Drains are not included
All measurements $\pm 1/4"$

In keeping with our policy of continuing product improvement, Acri-Tec Industries Corp., reserves the right to change product specifications without notice.

DESIGN FEATURES

- Acrylic shower base constructed of cast high gloss acrylic and reinforced with a fibreglass backing
- Standard 3 3/8" shower drain opening
- Shower base trimmed to fit 38" x 38" rough opening
- Integral tiling flange for easy installation

OPTIONS

- Available in;
 - White
 - Biscuit
 - Bone
 - Linen
- Compatible Shower Doors:
 - 9731T38 (Section 19, Page 1)

68338

38" x 38" Neo Angle Unique



*1 year limited manufacturer's warranty included

*Note: Shower base may not be exactly as pictured

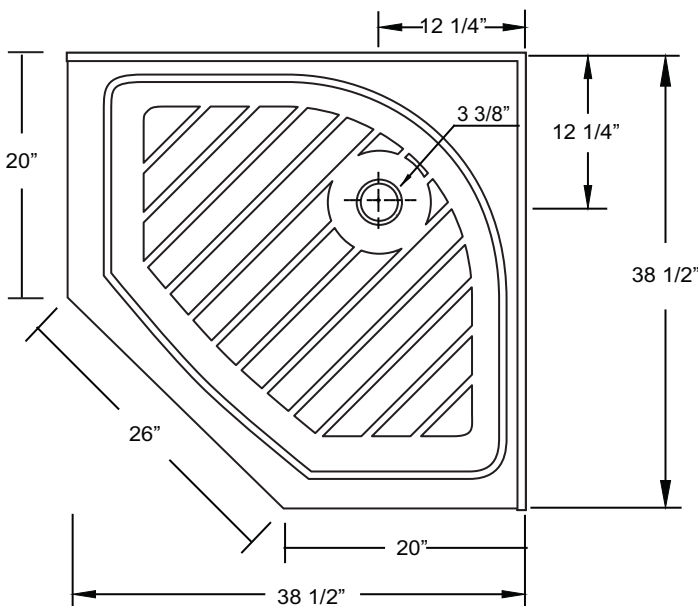
DESIGN FEATURES

- Acrylic shower base constructed of cast high gloss acrylic and reinforced with a fibreglass backing
- Standard 3 3/8" shower drain opening
- Shower base trimmed to fit 38" x 38" rough opening
- Integral tiling flange for easy installation

OPTIONS

- Available in;
 - White
- Compatible Shower Doors:
 - 9731T38 (Section 19, Page 1)

SHOWER BASE DIMENSIONS



*Diagram is not to scale



This shower base complies with CSA Standards

*Shower Drains are not included
All measurements $\pm 1/4"$

In keeping with our policy of continuing product improvement, Acri-Tec Industries Corp., reserves the right to change product specifications without notice.

MODEL

38" x 38" Saniflo



*1 year limited manufacturer's warranty included

*Note: Shower base may not be exactly as pictured

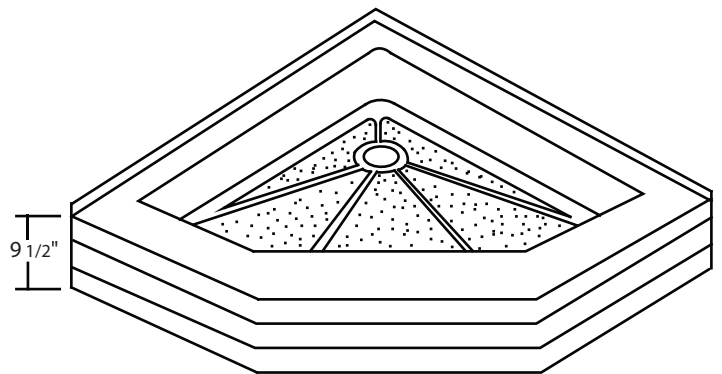
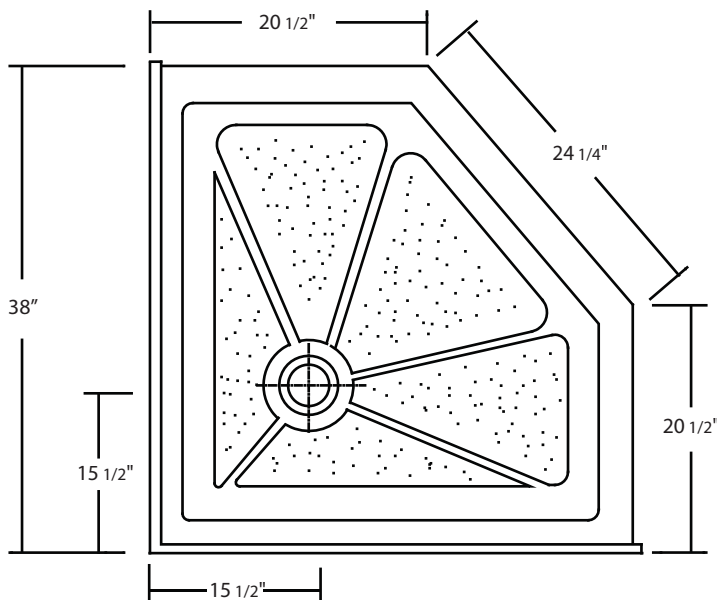
DESIGN FEATURES

- Acrylic shower base constructed of cast high gloss acrylic and reinforced with a fibreglass backing
- Standard 3 3/8" shower drain opening
- Shower base trimmed to fit 38" x 38" rough opening
- Integral tiling flange for easy installation
- Floor of the base is elevated to allow room to install the shower drain plumbing

OPTIONS

- Available in;
 - White

SHOWER BASE DIMENSIONS



This shower base complies with CSA Standards

*Diagram is not to scale

*Shower Drains are not included
All measurements $\pm 1/4"$

In keeping with our policy of continuing product improvement, Acri-Tec Industries Corp., reserves the right to change product specifications without notice.

68340

40" x 40" Unique Round



*1 year limited manufacturer's warranty included

*Note: Shower base may not be exactly as pictured

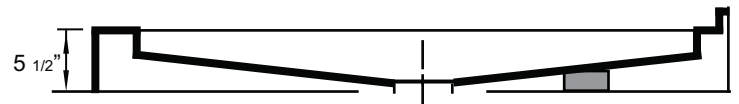
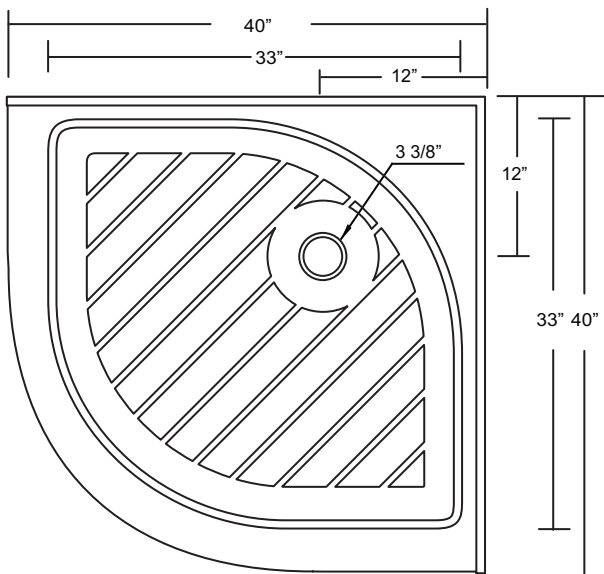
DESIGN FEATURES

- Acrylic shower base constructed of cast high gloss acrylic and reinforced with a fibreglass backing
- Standard 3 3/8" shower drain opening
- Shower base trimmed to fit 40" x 40" rough opening
- Integral tiling flange for easy installation

OPTIONS

- Available in;
 - White
- Compatible Shower Doors:
 - 9731T40 (Section 19, Page 1)

SHOWER BASE DIMENSIONS



*Diagram is not to scale



This shower base complies with CSA Standards

*Shower Drains are not included
All measurements $\pm 1/4"$

In keeping with our policy of continuing product improvement, Acri-Tec Industries Corp., reserves the right to change product specifications without notice.

MODEL

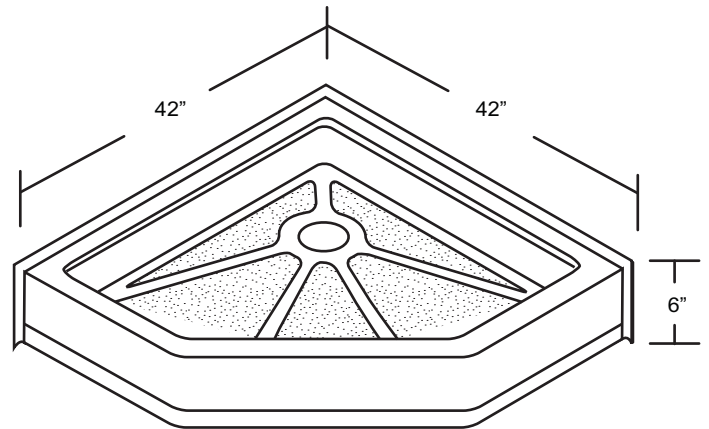
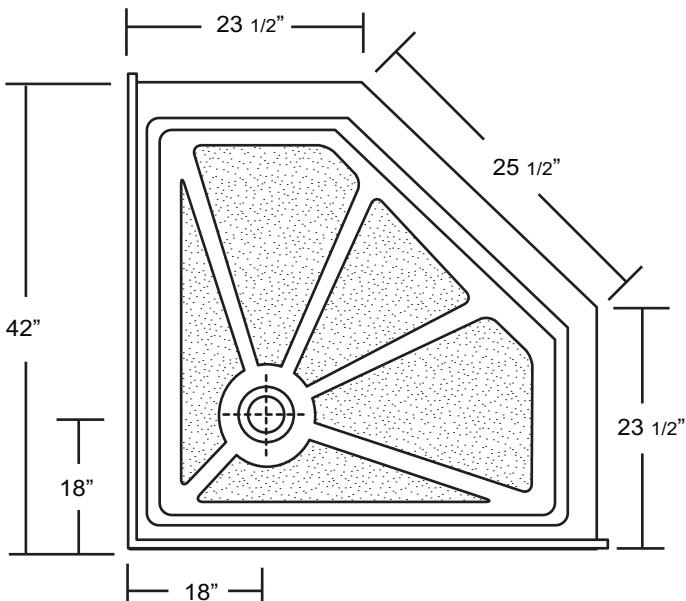
42" x 42" Neo Angle



*1 year limited manufacturer's warranty included

*Note: Shower base may not be exactly as pictured

SHOWER BASE DIMENSIONS



*Diagram is not to scale



This shower base complies with CSA Standards

*Shower Drains are not included
All measurements $\pm 1/4"$

DESIGN FEATURES

- Acrylic shower base constructed of cast high gloss acrylic and reinforced with a fibreglass backing
- Standard 3 3/8" shower drain opening
- Shower base trimmed to fit 42" x 42" rough opening
- Integral tiling flange for easy installation

OPTIONS

- Available in;
 - White
 - Biscuit
 - Bone
 - Linen
- Compatible Shower Doors:
 - 9731T42 (Section 19, Page 1)

In keeping with our policy of continuing product improvement, Acric-Tec Industries Corp., reserves the right to change product specifications without notice.

68342

42" x 42" Neo Angle Unique



*1 year limited manufacturer's warranty included

*Note: Shower base may not be exactly as pictured

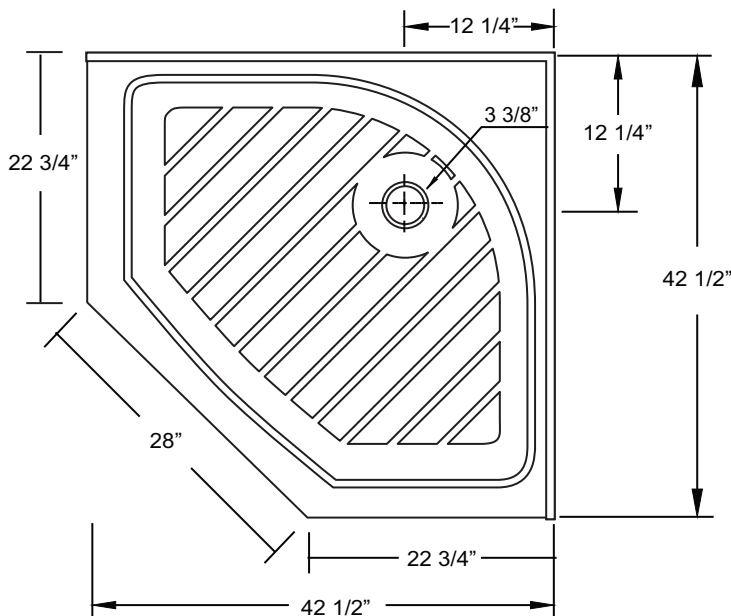
DESIGN FEATURES

- Acrylic shower base constructed of cast high gloss acrylic and reinforced with a fibreglass backing
- Standard 3 3/8" shower drain opening
- Shower base trimmed to fit 42" x 42" rough opening
- Integral tiling flange for easy installation

OPTIONS

- Available in;
 - White
- Compatible Shower Doors:
 - 9731C42 (Section 19, Page 1)

SHOWER BASE DIMENSIONS



*Diagram is not to scale



This shower base complies with CSA Standards

*Shower Drains are not included
All measurements $\pm 1/4"$

In keeping with our policy of continuing product improvement, Acri-Tec Industries Corp., reserves the right to change product specifications without notice.

MODEL

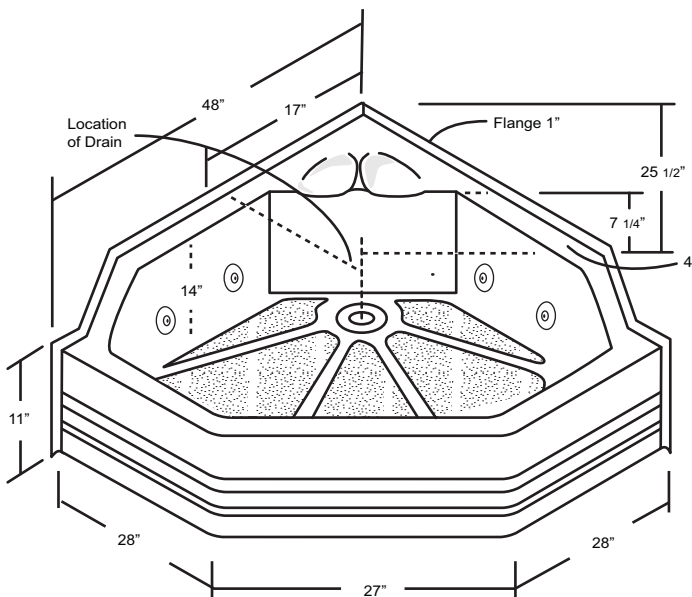
48" x 48" Opulence



*1 year limited manufacturer's warranty included

*Note: Shower base may not be exactly as pictured

SHOWER BASE DIMENSIONS



*Diagram is not to scale



This shower base complies with CSA Standards

*Shower Drains are not included
All measurements $\pm 1/4"$

DESIGN FEATURES

- Acrylic shower base constructed of cast high gloss acrylic and reinforced with a fibreglass backing
- Can be jetted with water or air jetting systems
- Standard 3 3/8" shower drain opening
- Shower base trimmed to fit 32" x 60" rough opening
- Integral tiling flange for easy installation

OPTIONS

- Available in;
 - White
 - Biscuit
 - Bone
 - Linen
- Compatible Shower Doors:
 - 9731T48 (Section 19, Page 1)

In keeping with our policy of continuing product improvement, Acritec Industries Corp., reserves the right to change product specifications without notice.