



Stainless Steel Sinks - Bar & Laundry

PC-D020 Bar Sink	1
PC-D031 Bar Sink	2
PC-D071 Bar Sink	3
PC-D053 Laundry Sink	4

PC-D020

Drop-In Hospitality Sink

18" x 18" x 8"



*1 year limited manufacturer's warranty included

CABINET SIZE

Minimum cabinet size required: 21"

MATERIAL

Fabricated from type 304, 20 gauge stainless steel.

Constructed from 18/9 stainless steel for durability and superior longevity

Net Sink Weight = 5 lbs, 2.2 kg

INCLUDING

Metal 3 1/2" stainless steel strainer

Template

DESIGN FEATURES

Brushed Satin finish

Raised rim profile provides definition and guards against counter spills.

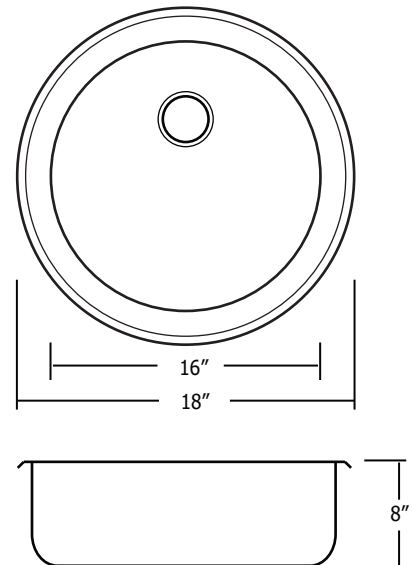
Installation clamps provided for quick & easy installation.

Latex based undercoating helps damper sound and vibrations.

3 1/2" drain opening.

SINK DIMENSIONS

Diagram not to scale



This sink complies with CSA Standards

Allow sufficient space for faucet when choosing a sink to fit your cabinet

All measurements $\pm 1/4"$

In keeping with our policy of continuing product improvement, Acri-Tec Industries Corp., reserves the right to change product specifications without notice.

PC-D031

Drop-In Hospitality Sink
20" x 20" x 6 1/2"



*1 year limited manufacturer's warranty included

DESIGN FEATURES

Brushed Satin finish

Raised rim profile provides definition and guards against counter spills.

Installation clamps provided for quick & easy installation.

Latex based undercoating helps damper sound and vibrations.

3 1/2" drain opening.

CABINET SIZE

Minimum cabinet size required: 21"

MATERIAL

Fabricated from type 304, 22 gauge stainless steel

Constructed from 18/9 stainless steel for durability and superior longevity

Net Sink Weight = 4 lbs, 1.8 kg

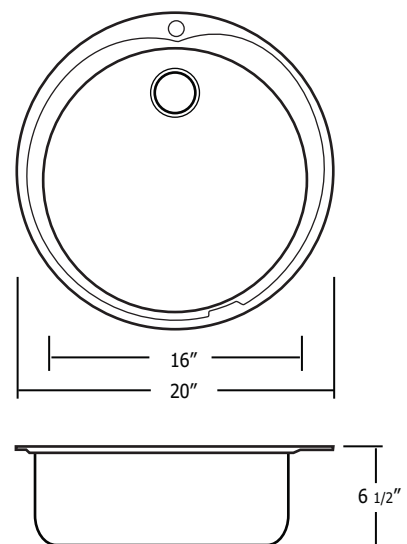
INCLUDING

Metal 3 1/2" stainless steel strainer

Template

SINK DIMENSIONS

Diagram not to scale



This sink complies with CSA Standards

All measurements $\pm 1/4$ "

In keeping with our policy of continuing product improvement, Acri-Tec Industries Corp., reserves the right to change product specifications without notice.

PC-D071

Drop-In Hospitality Sink

15" x 15" x 6"



*1 year limited manufacturer's warranty included

DESIGN FEATURES

Brushed Satin finish

Raised rim profile provides definition and guards against counter spills.

Installation clamps provided for quick & easy installation.

Large polymer sound deadening pads minimize sound and vibrations.

3 1/2" drain opening.

CABINET SIZE

Minimum cabinet size required: 18"

MATERIAL

Fabricated from type 304, 24 gauge stainless steel

Constructed from 18/9 stainless steel for durability and superior longevity

Net Sink Weight = 2.5 lbs, 1 kg

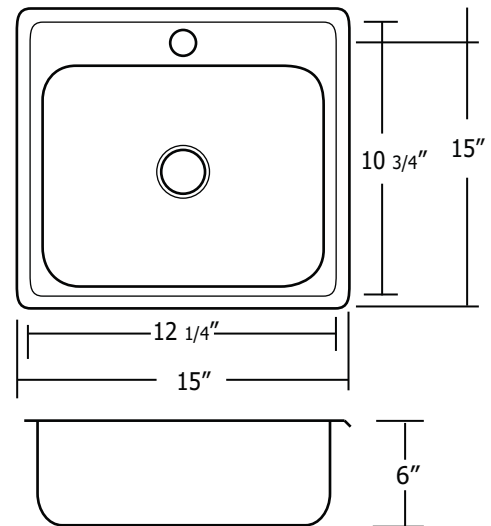
INCLUDING

Metal 3 1/2" stainless steel strainer

Template

SINK DIMENSIONS

Diagram not to scale



This sink complies with CSA Standards

All measurements $\pm 1/4"$

In keeping with our policy of continuing product improvement, Acri-Tec Industries Corp., reserves the right to change product specifications without notice.

PC-D053

Drop-In Laundry Sink

20" x 20 1/2" x 10 1/4"



*1 year limited manufacturer's warranty included

DESIGN FEATURES

Brushed Satin finish

Installation clamps provided for quick & easy installation.

Latex based undercoating helps damper sound and vibrations.

3 1/2" drain opening.

CABINET SIZE

Minimum cabinet size required: 21"

MATERIAL

Fabricated from type 304, 19 gauge stainless steel

Constructed from 18/9 stainless steel for durability and superior longevity

Net Sink Weight = 10 lbs, 4.5 kg

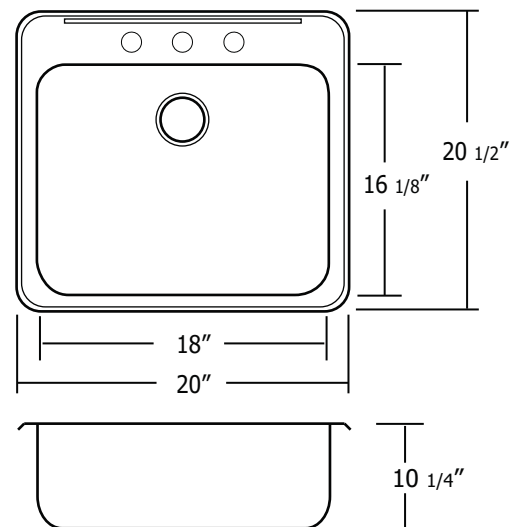
INCLUDING

Metal 3 1/2" stainless steel strainer

Template

SINK DIMENSIONS

Diagram not to scale



This sink complies with CSA Standards

All measurements $\pm 1/4$ "

In keeping with our policy of continuing product improvement, Acri-Tec Industries Corp., reserves the right to change product specifications without notice.