



---

## Italian Composite Bathtubs

---

Venezia	_____	1
Trieste	_____	2
Roma	_____	3
Firenze	_____	4
Milano	_____	5

# VENEZIA

## Italian Designer Composite Bathtubs 66 1/4" x 29 1/4" x 33 3/4"

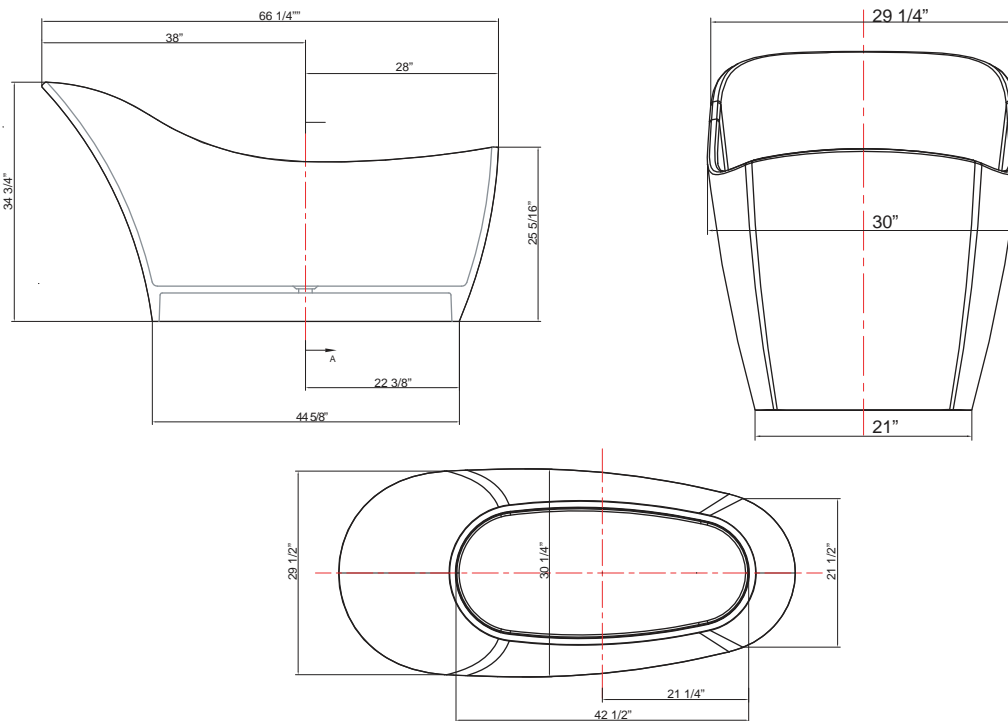


This bathtub is shipped fully assembled with an integral overflow.

Each bathtub in this new series is made from a formula of synthetic and natural materials, and finished with a polyester blended coating; designed to be resistant to scratching, scuffmarks, and UV rays.

Due to the nature of the composite material and the 3/4" thick walls, these baths provide excellent insulation, keeping bath water warmer for a longer period of time.

\*1 year limited manufacturer's warranty included



All measurements  $\pm 1/4"$

In keeping with our policy of continuing product improvement, Acric-Tec Industries Corp., reserves the right to change product specifications without notice.

# TRIESTE

## Italian Designer Composite Bathtub 70 1/4" x 32 1/2" x 21 1/4"

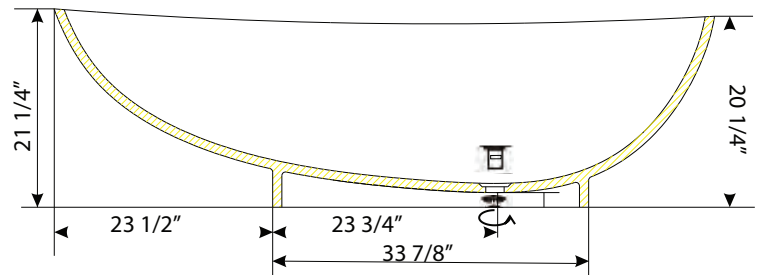
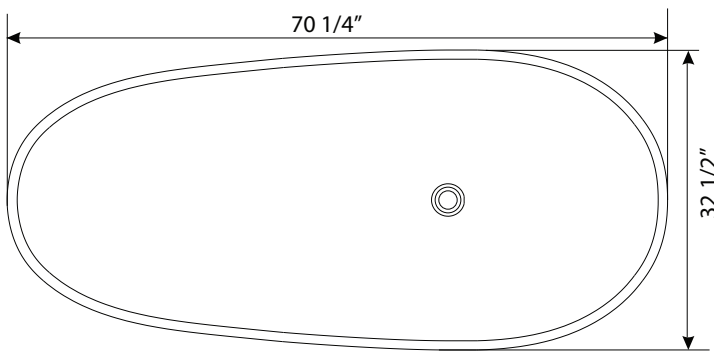


This bathtub is shipped fully assembled with an integral overflow.

Each bathtub in this new series is made from a formula of synthetic and natural materials, and finished with a polyester blended coating; designed to be resistant to scratching, scuffmarks, and UV rays.

Due to the nature of the composite material and the 3/4" thick walls, these baths provide excellent insulation, keeping bath water warmer for a longer period of time.

\*1 year limited manufacturer's warranty included



All measurements  $\pm 1/4$ "

In keeping with our policy of continuing product improvement, Acric-Tec Industries Corp., reserves the right to change product specifications without notice.

# ROMA

## Italian Designer Composite Bathtubs 62" x 27" x 26"

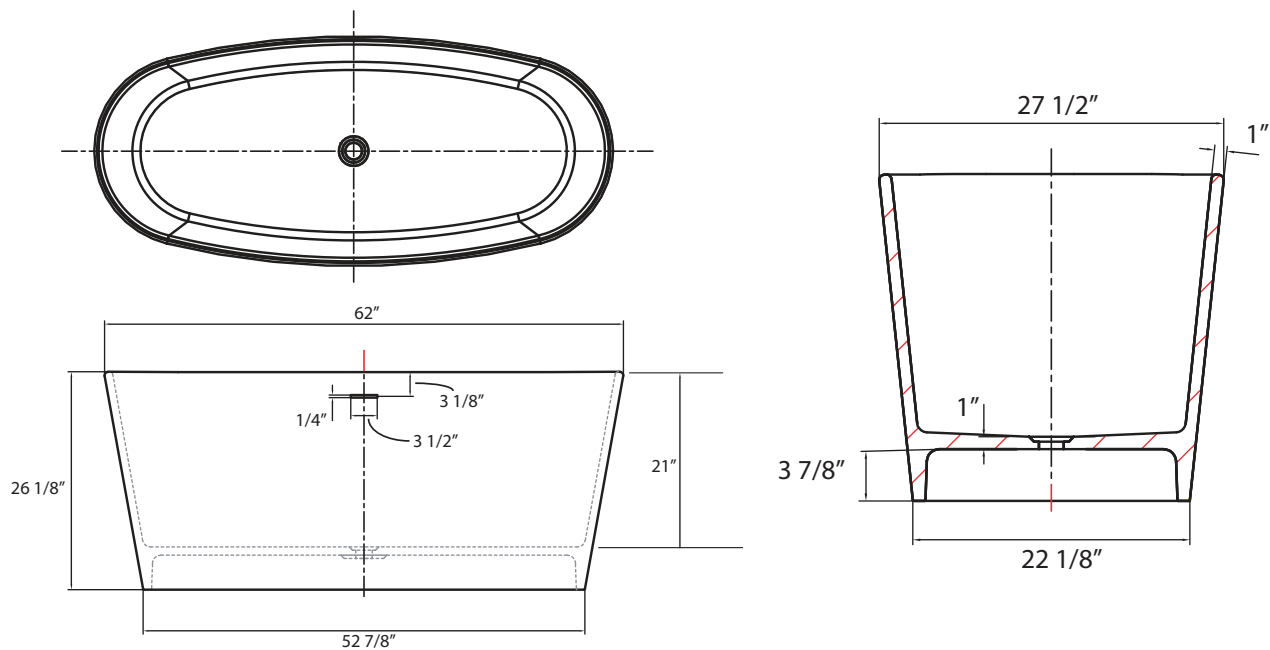


This bathtub is shipped fully assembled with an integral overflow.

Each bathtub in this new series is made from a formula of synthetic and natural materials, and finished with a polyester blended coating; designed to be resistant to scratching, scuffmarks, and UV rays.

Due to the nature of the composite material and the 3/4" thick walls, these baths provide excellent insulation, keeping bath water warmer for a longer period of time.

\*1 year limited manufacturer's warranty included



All measurements  $\pm 1/4"$

In keeping with our policy of continuing product improvement, Acric-Tec Industries Corp., reserves the right to change product specifications without notice.

# FIRENZE

## Italian Designer Composite Bathtubs 64 1/2" x 33 1/2" x 25 1/4"

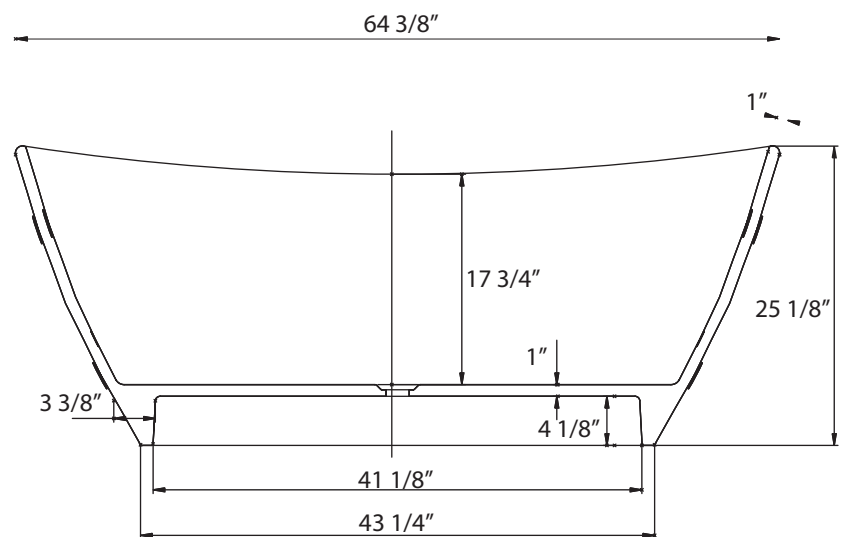
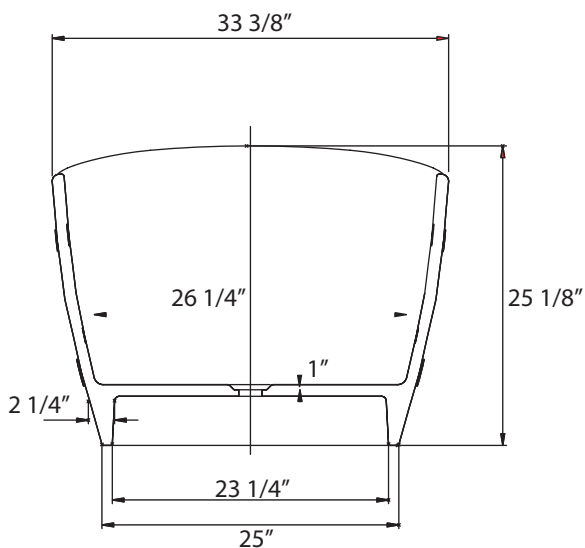


This bathtub is shipped fully assembled with an integral overflow.

Each bathtub in this new series is made from a formula of synthetic and natural materials, and finished with a polyester blended coating; designed to be resistant to scratching, scuffmarks, and UV rays.

Due to the nature of the composite material and the 3/4" thick walls, these baths provide excellent insulation, keeping bath water warmer for a longer period of time.

\*1 year limited manufacturer's warranty included



All measurements  $\pm 1/4$ "

In keeping with our policy of continuing product improvement, Acri-Tec Industries Corp., reserves the right to change product specifications without notice.

# MILANO

## Italian Designer Composite Bathtubs 67" x 28" x 24"

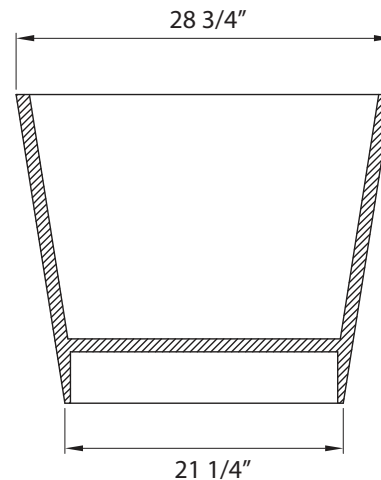
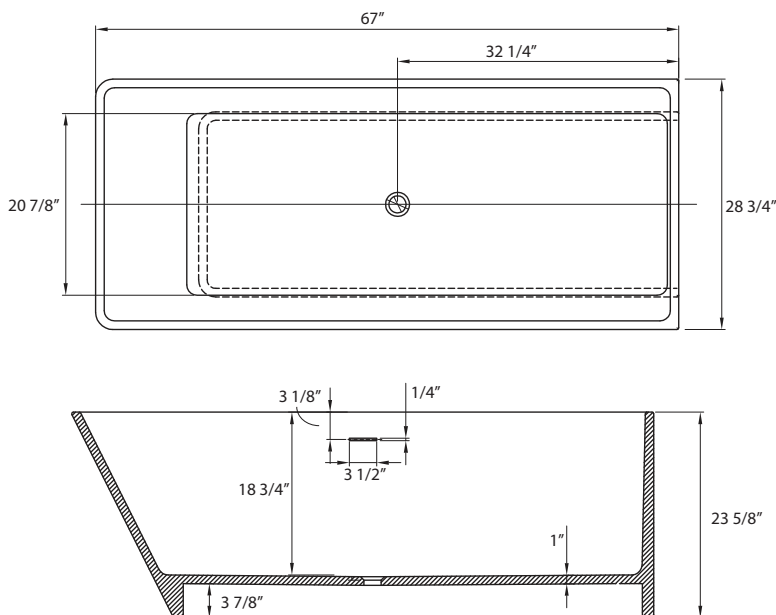


This bathtub is shipped fully assembled with an integral overflow.

Each bathtub in this new series is made from a formula of synthetic and natural materials, and finished with a polyester blended coating; designed to be resistant to scratching, scuffmarks, and UV rays.

Due to the nature of the composite material and the 3/4" thick walls, these baths provide excellent insulation, keeping bath water warmer for a longer period of time.

\*1 year limited manufacturer's warranty included



All measurements  $\pm 1/4"$

In keeping with our policy of continuing product improvement, Acric-Tec Industries Corp., reserves the right to change product specifications without notice.