

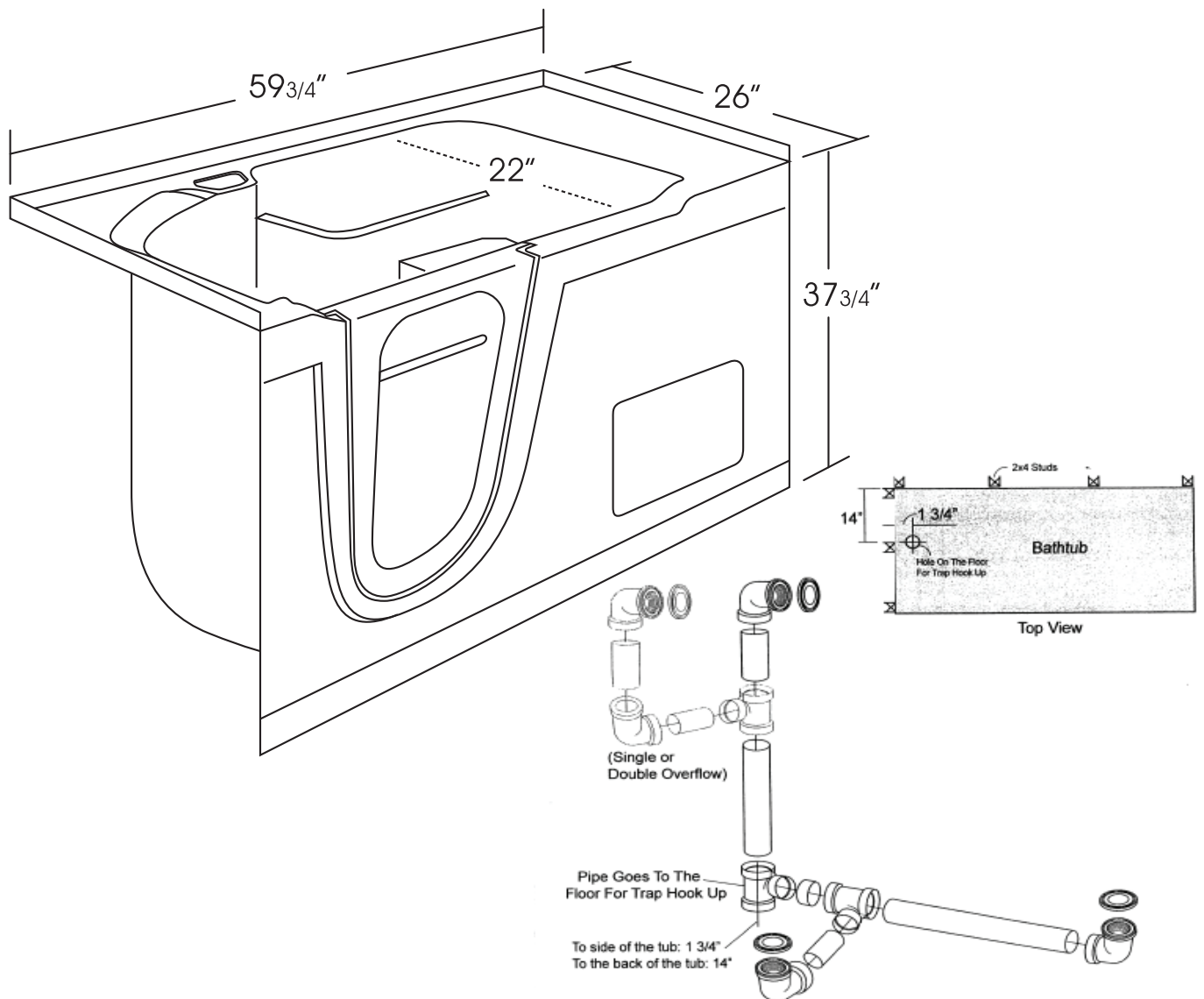


## ASSISTED LIVING SERIES

Independence, Easy Access - Walk-In Bathtub (60")	<u>1</u>
Independence, Easy Access - Walk-In Bathtub (54")	<u>2</u>
60" x 30" Barrier Free - Retro Fit Shower Bases (LH / RH)	<u>3</u>
60" x 32" Barrier Free - Retro Fit Shower Bases (LH / RH)	<u>4</u>
48" x 36" Barrier Free, Center Drain	<u>5</u>
48" x 38" Barrier Free, Center Drain	<u>6</u>
48" x 42" Barrier Free, Center Drain	<u>7</u>
48" x 48" Barrier Free, Center Drain	<u>8</u>
54" x 36" Barrier Free, Center Drain	<u>9</u>
60" x 34" Barrier Free, Center Drain	<u>10</u>
60" x 36" Barrier Free, Center Drain	<u>11</u>
60" x 38" Barrier Free, Center Drain	<u>12</u>
60" x 40" Barrier Free, Center Drain	<u>13</u>
60" x 42" Barrier Free, Center Drain	<u>14</u>
Shower Seat, Acrylic	<u>15</u>

# Independence Walk-In Tub 60"x 26"

*Available in Left Hand or Right Hand Drain Configurations*



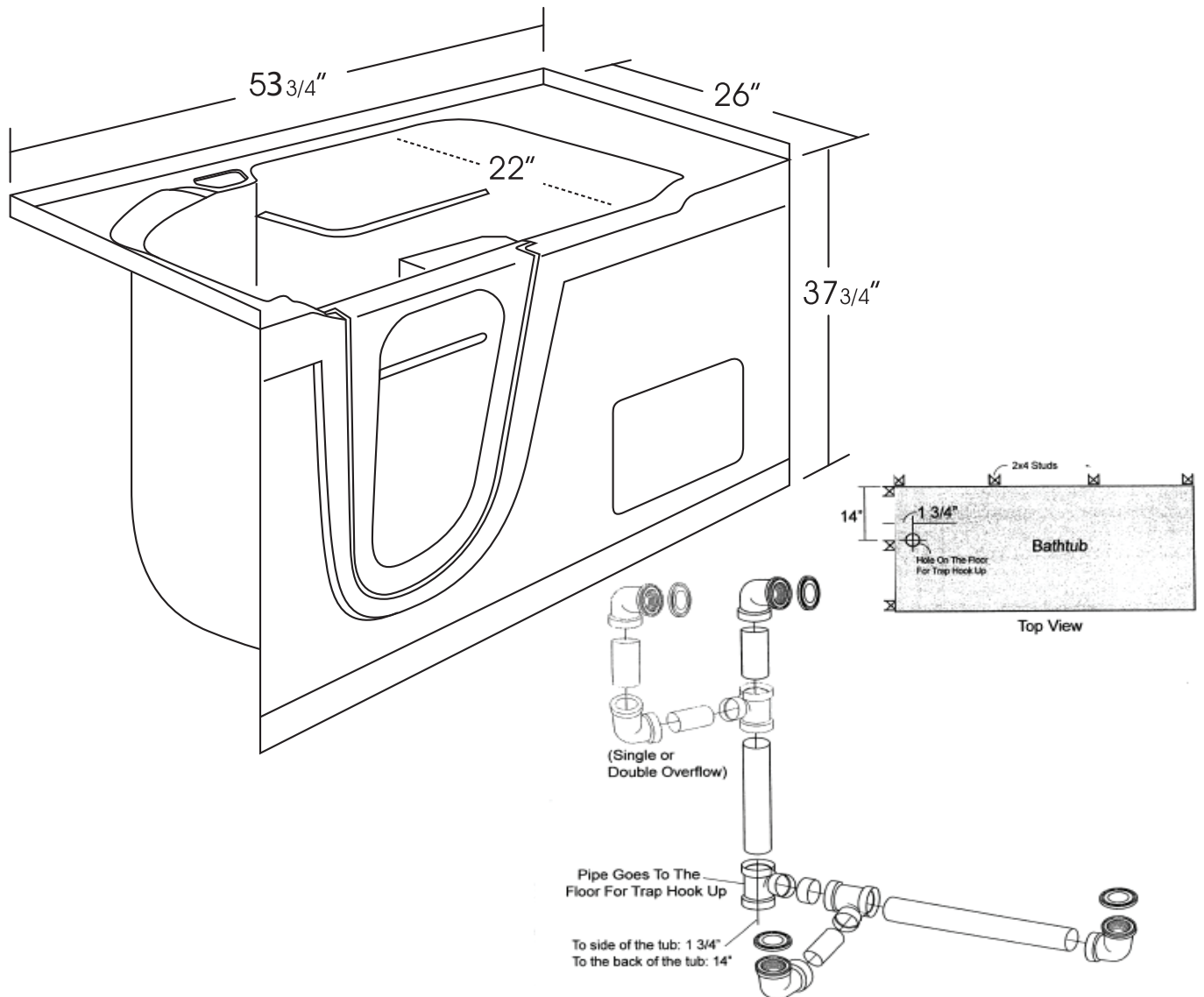
Door opening: 18" wide  
Dual drain. Drainage time: 2 minutes  
Bathtub well width: 22" above the seat  
Ledge height from floor: 8"  
Depth to center of overflow: 28"  
Seat: 15 1/2" high, 15" deep, 19" wide

Access panel for pump or blower: 15"x12"  
Capacity: 52 imperial gallons/220 litres/57.7 US gallons  
Weight: 165 lbs  
Dimensions: 62"x28"x45 1/2"  
Cubed weight: 480 lbs

Drain Hole: 2"  
Overflow Hole: 2 1/4"

# Independence Walk-In Tub 54"x 26"

*Available in Left Hand or Right Hand Drain Configurations*



Door opening: 18" wide  
Dual drain. Drainage time: 2 minutes  
Bathtub well width: 22" above the seat  
Ledge height from floor: 8"  
Depth to center of overflow: 28"  
Seat: 15 1/2" high, 15" deep, 19" wide

Access panel for pump or blower: 15"x12"  
Capacity: 52 imperial gallons/220 litres/57.7 US gallons  
Weight: 165 lbs  
Dimensions: 62"x28"x45 1/2"  
Cubed weight: 480 lbs

Drain Hole: 2"  
Overflow Hole: 2 1/4"

# Shower Base 60" x 30"

Retrofit Barrier Free  
(Shown as a Left-hand Base)

Available in Left Hand or Right Hand Drain Configurations

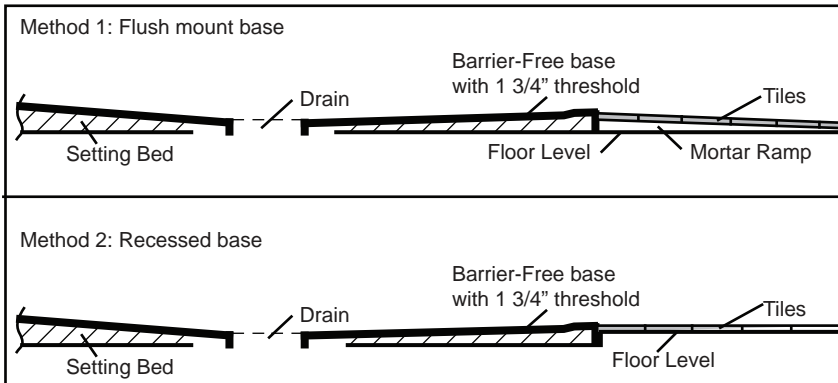
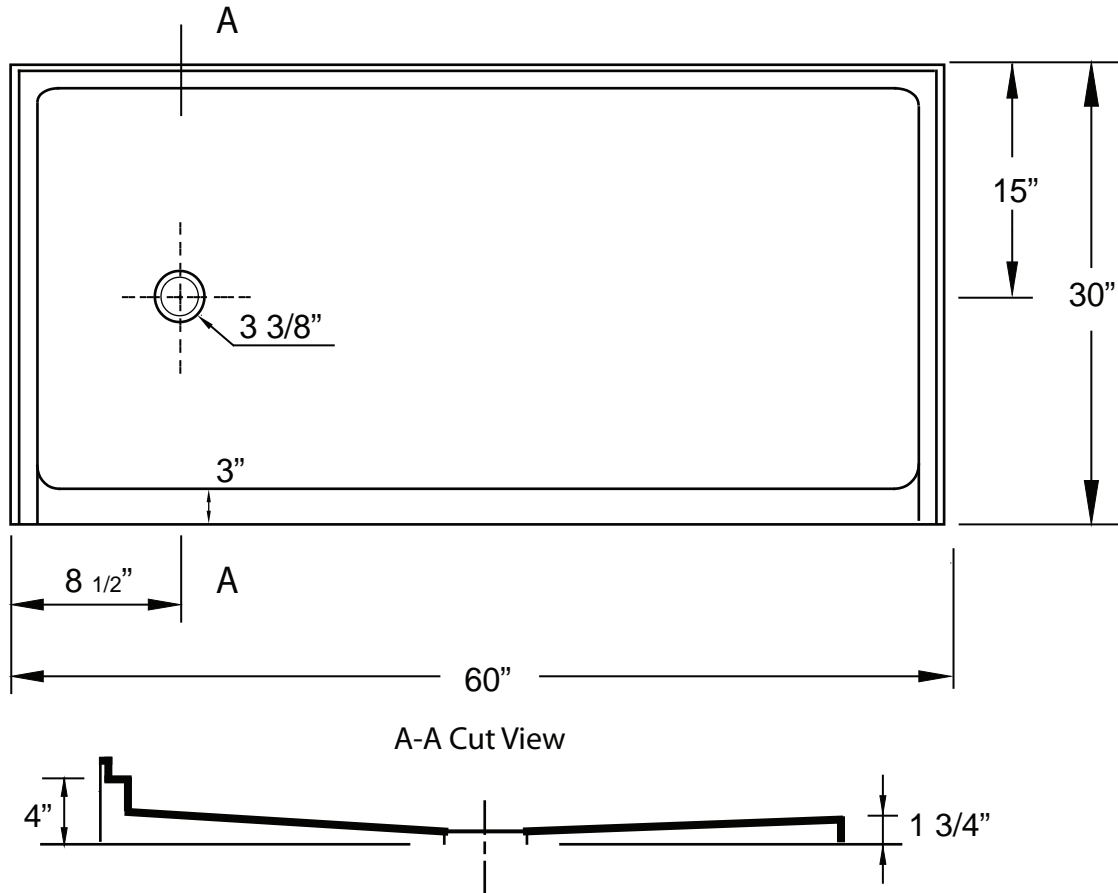


Diagram not to scale.  
All Measurements:  $\pm 1/4"$   
Drain Hole:  $3 3/8"$

Shower base trimmed to fit 60" x 30" rough opening.

Barrier Free shower bases are designed to accommodate a collapsible threshold.  
These are available as an accessory from Acri-tec.

# Shower Base 60"x 32"

Retrofit Barrier Free

(Shown as a Left-hand Base)

Available in both Left Hand & Right Hand Drain Configurations

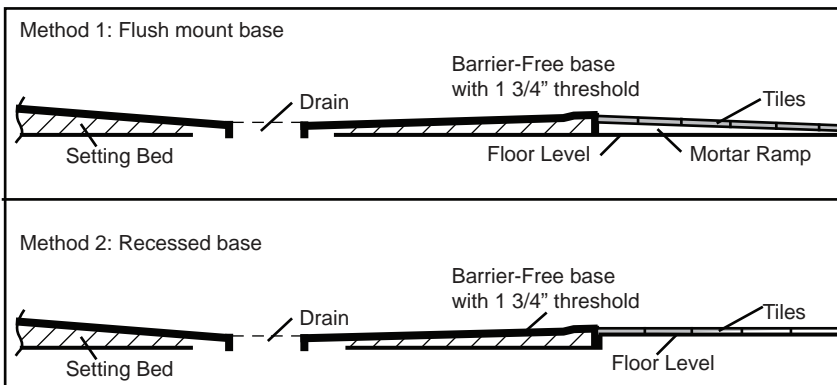
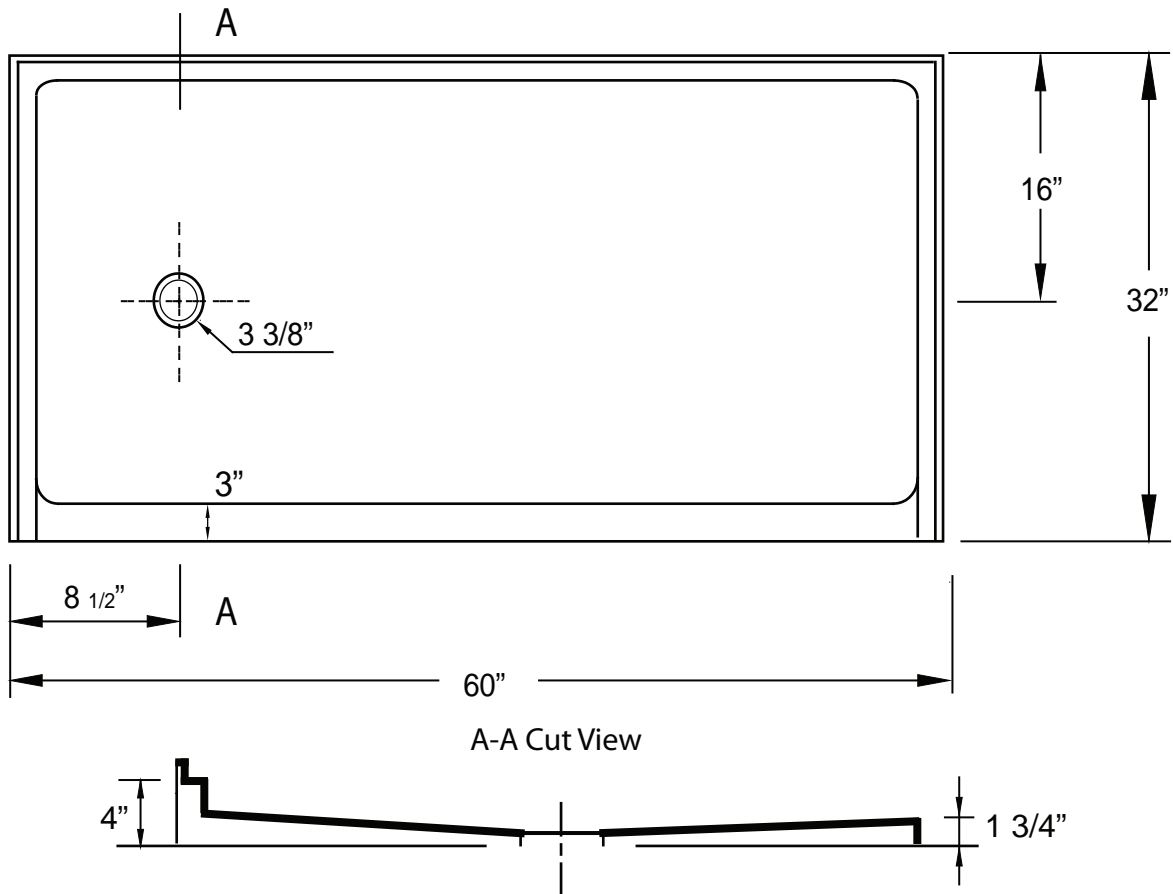


Diagram not to scale.

All Measurements:  $\pm 1/4"$

Drain Hole:  $3 3/8"$

Shower base trimmed to fit 60" x 32" rough opening.

Barrier Free shower bases are designed to accommodate a collapsible threshold.  
These are available as an accessory from Acritec.

# Shower Base 48" x 36"

Barrier Free

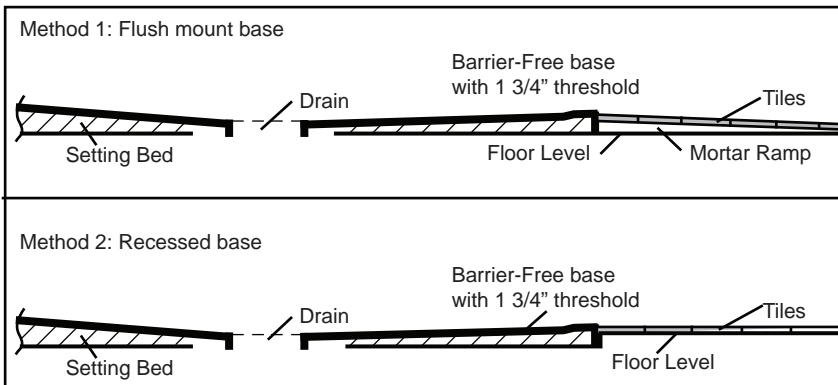
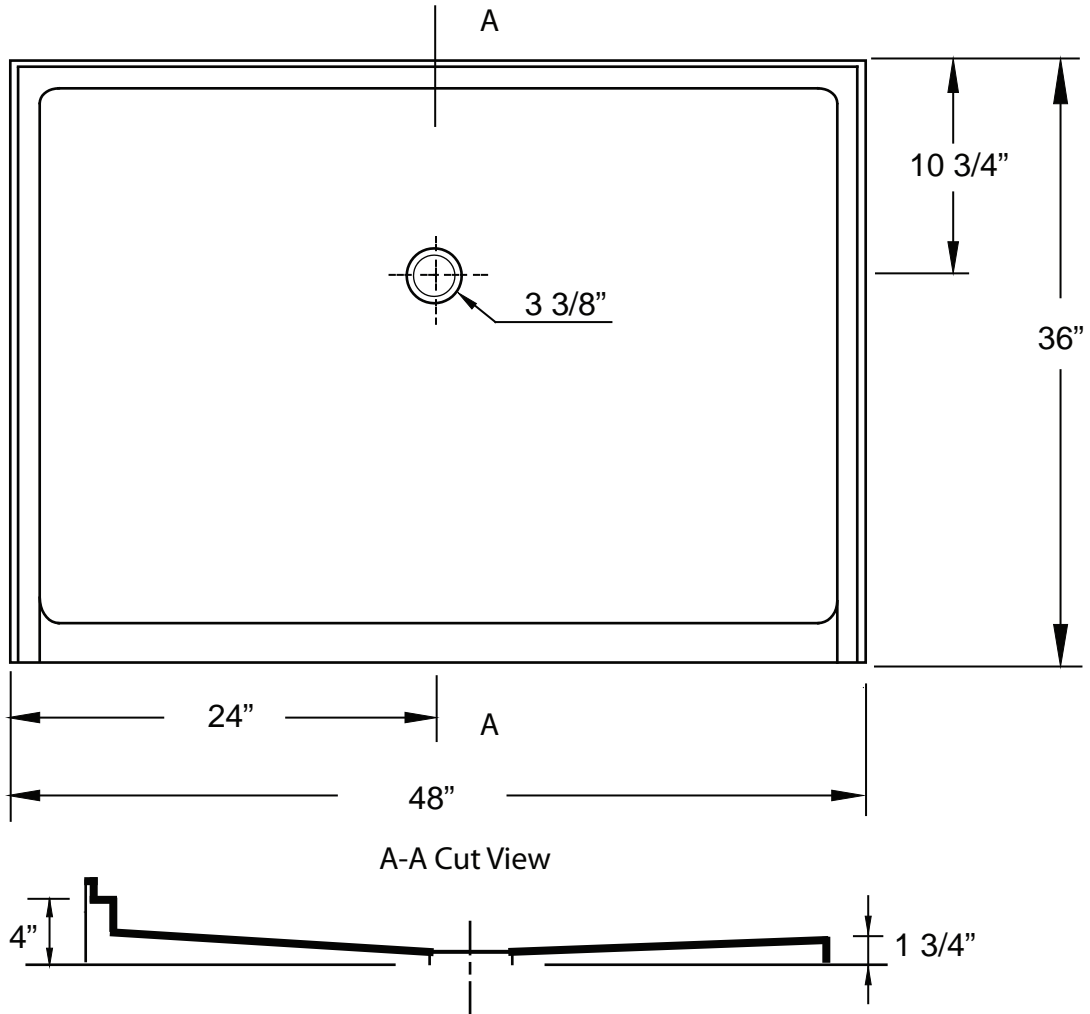


Diagram not to scale.  
All Measurements:  $\pm 1/4"$   
Drain Hole:  $3 3/8"$

Shower base trimmed to fit 48" x 36" rough opening.

Barrier Free shower bases are designed to accommodate a collapsible threshold.  
These are available as an accessory from Acri-tec.

# Shower Base 48" x 38"

Barrier Free

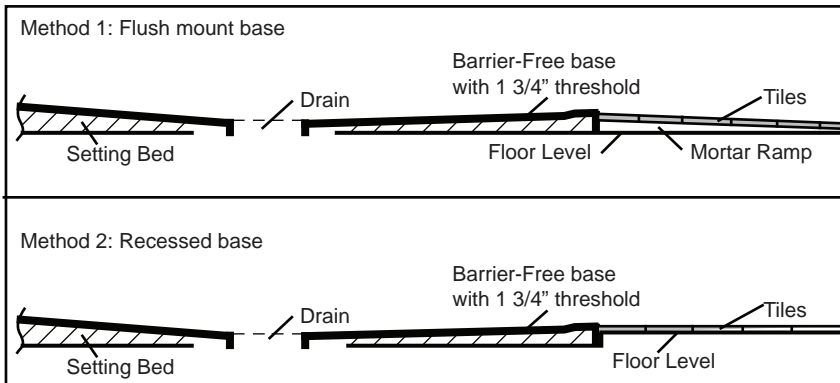
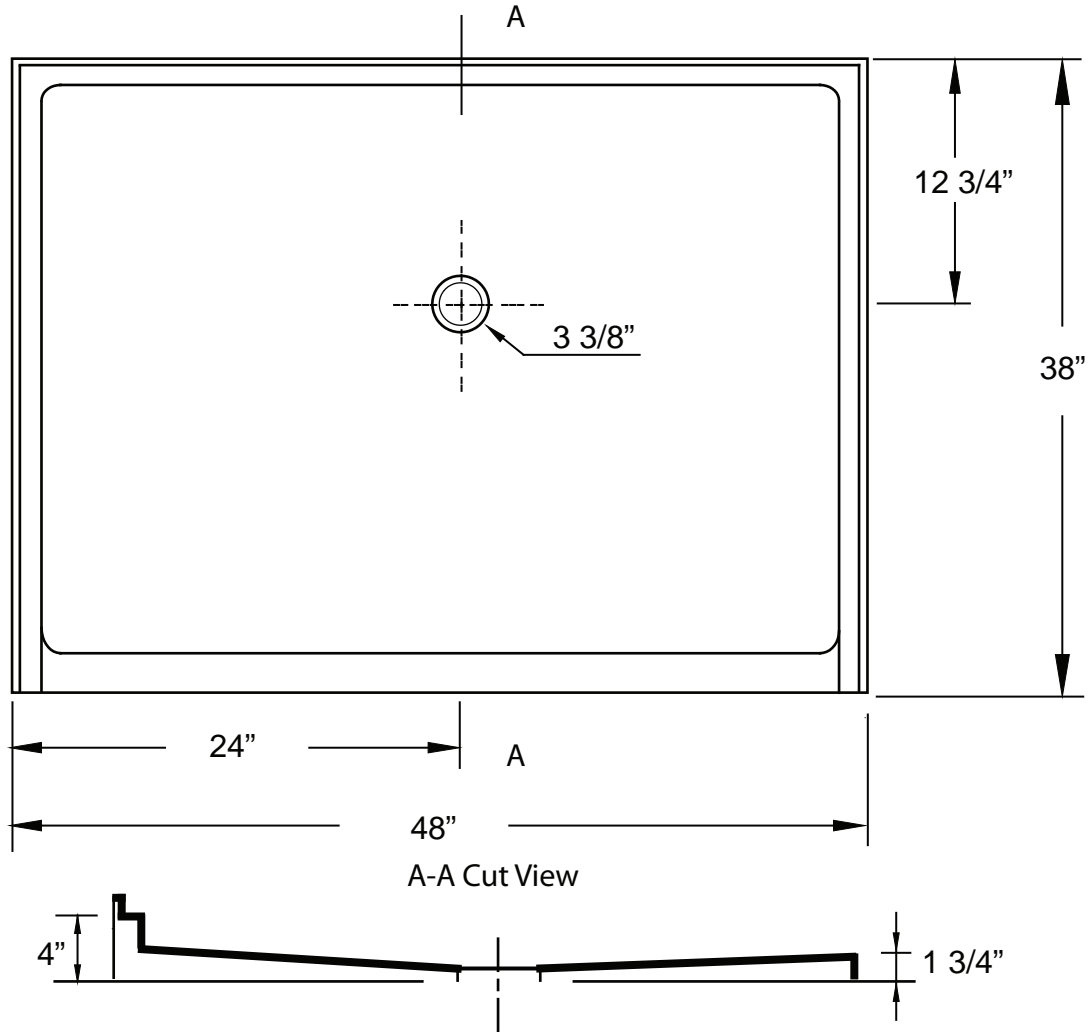


Diagram not to scale.

All Measurements:  $\pm 1/4"$

Drain Hole:  $3 3/8"$

Shower base trimmed to fit 48" x 38" rough opening.

Barrier Free shower bases are designed to accommodate a collapsible threshold.  
These are available as an accessory from Acri-tec.

# Shower Base 48"x 42"

Barrier Free

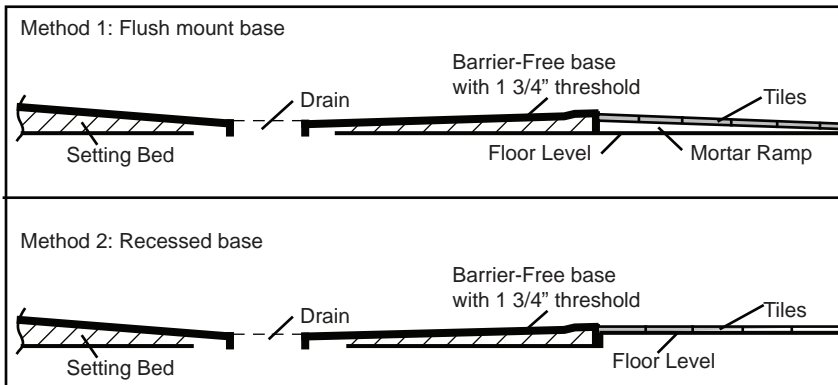
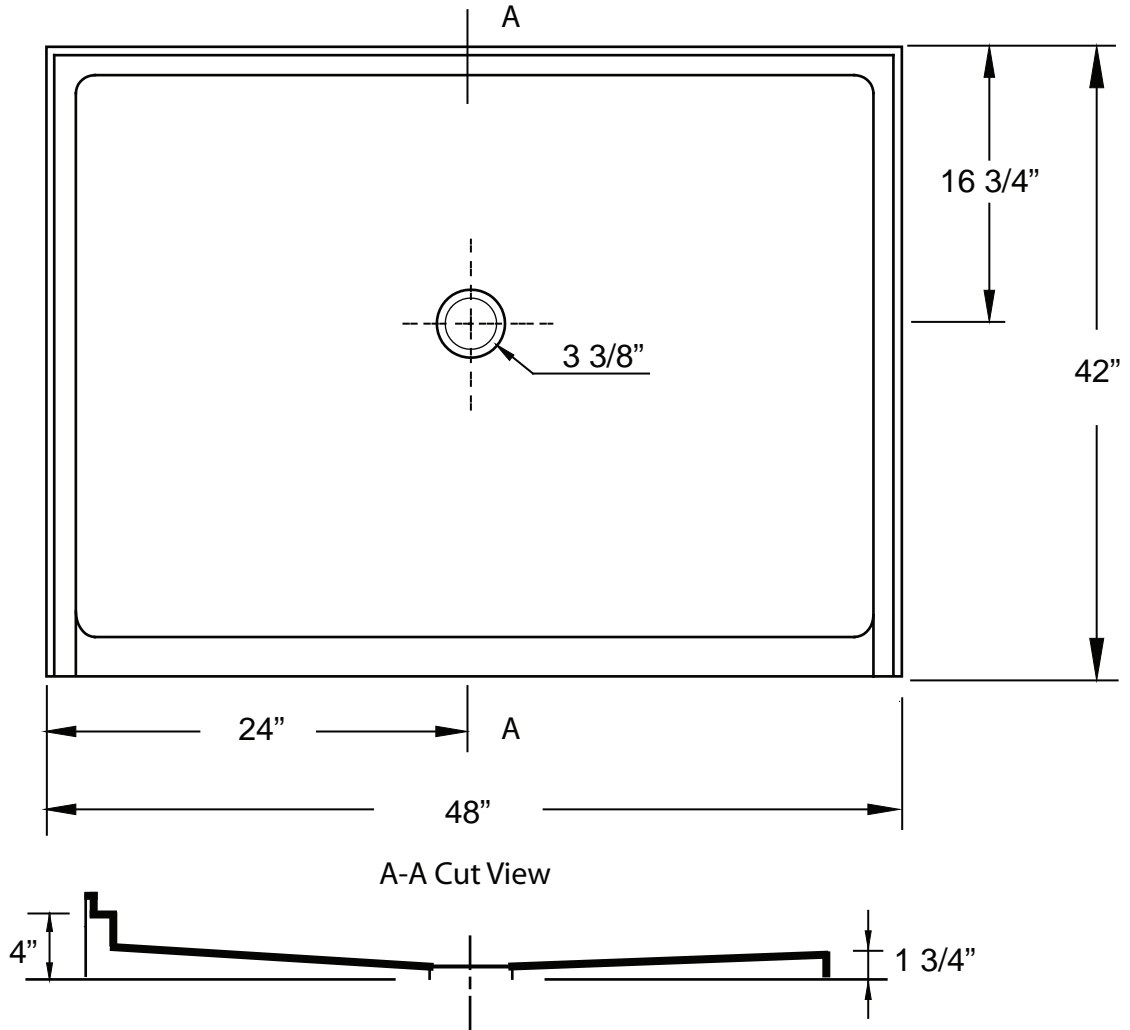


Diagram not to scale.

All Measurements:  $\pm 1/4"$

Drain Hole:  $3 3/8"$

Shower base trimmed to fit 48" x 42" rough opening.

Barrier Free shower bases are designed to accommodate a collapsible threshold.  
These are available as an accessory from Acri-tec.

# Shower Base 48" x 48"

Barrier Free

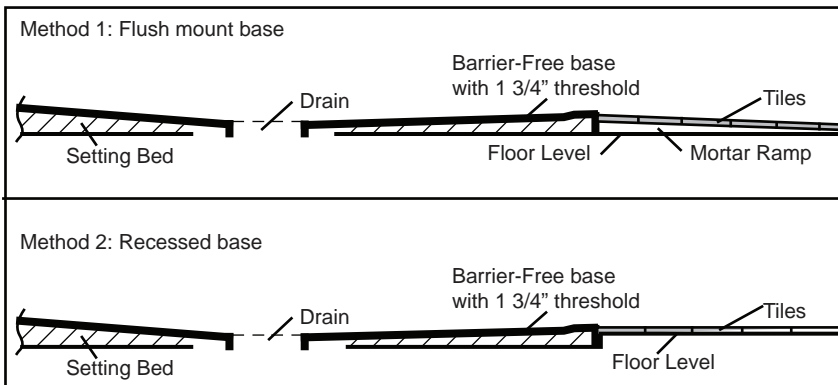
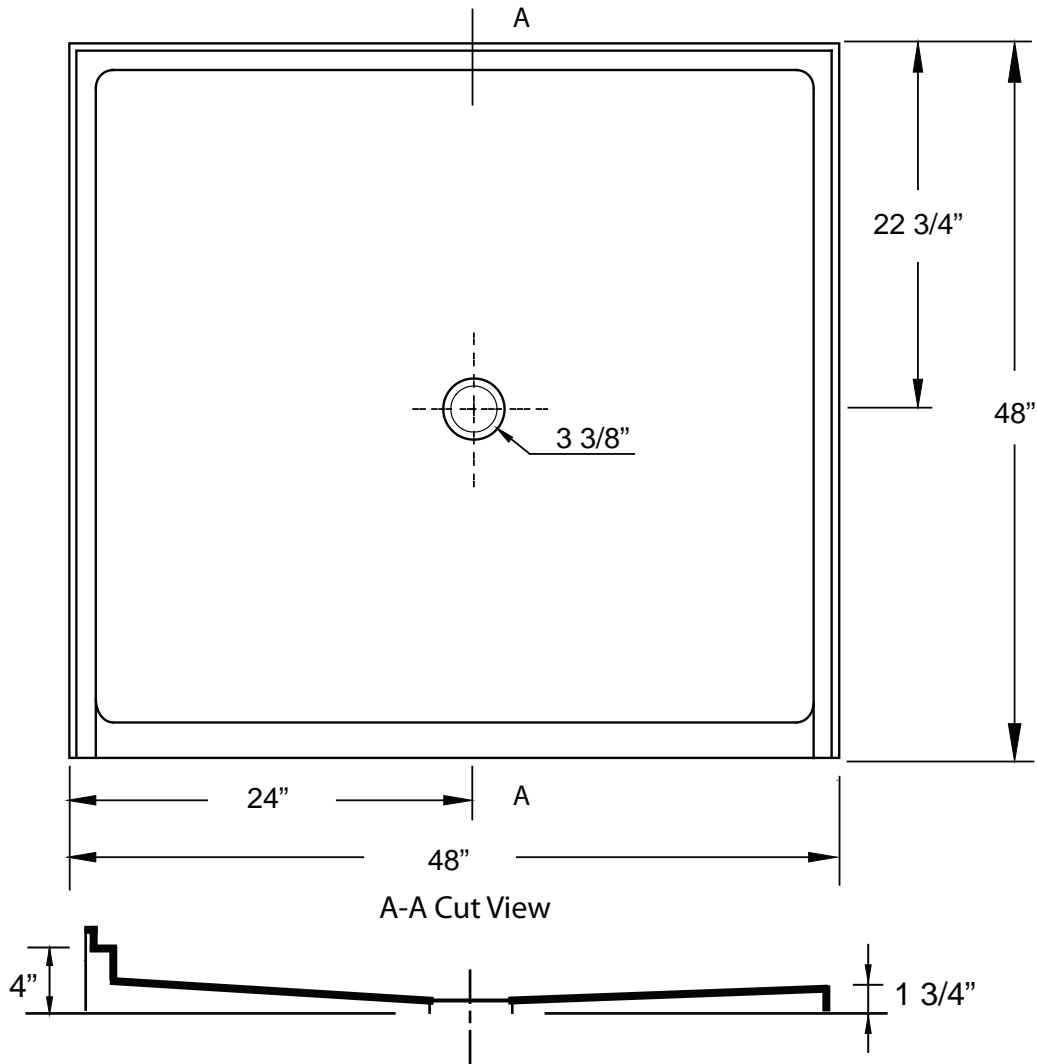


Diagram not to scale.

All Measurements:  $\pm 1/4"$

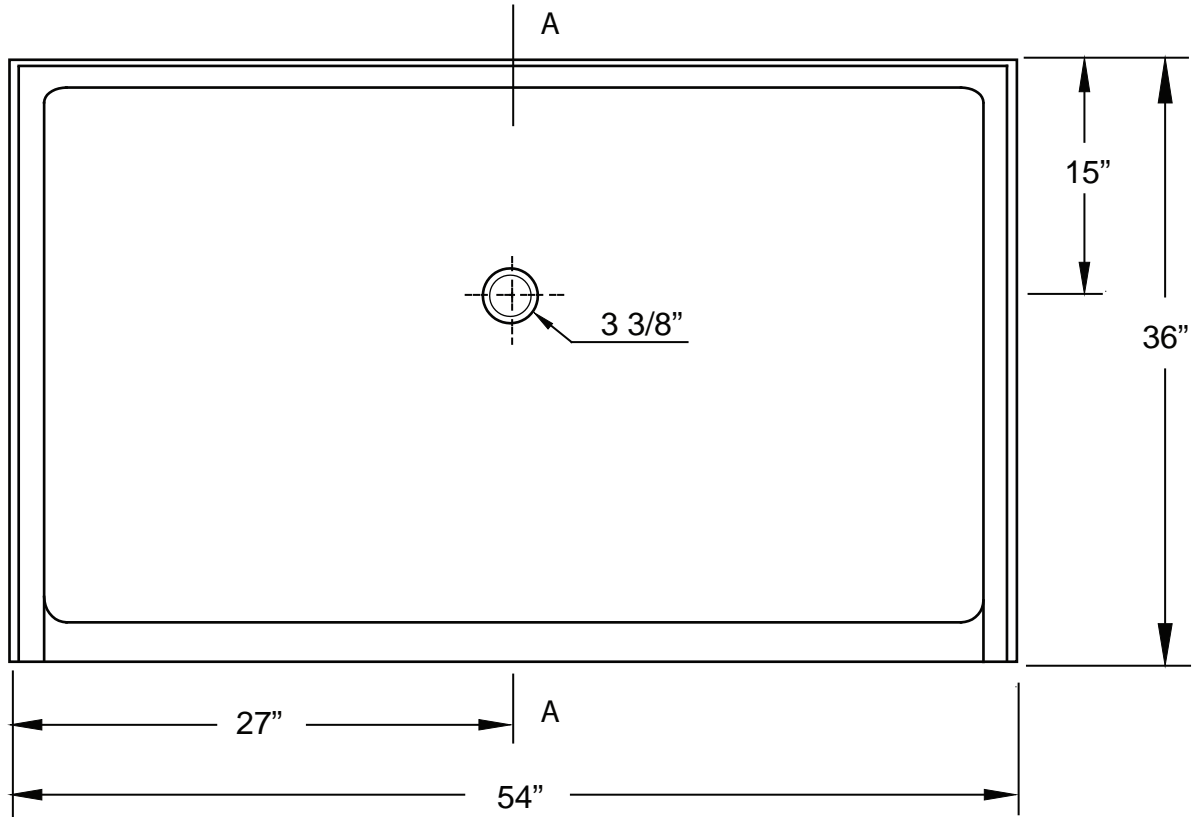
Drain Hole:  $3 3/8"$

Shower base trimmed to fit 48" x 48" rough opening.

Barrier Free shower bases are designed to accommodate a collapsible threshold.  
These are available as an accessory from Acri-tec.

# Shower Base 54" x 36"

Barrier Free



A-A Cut View

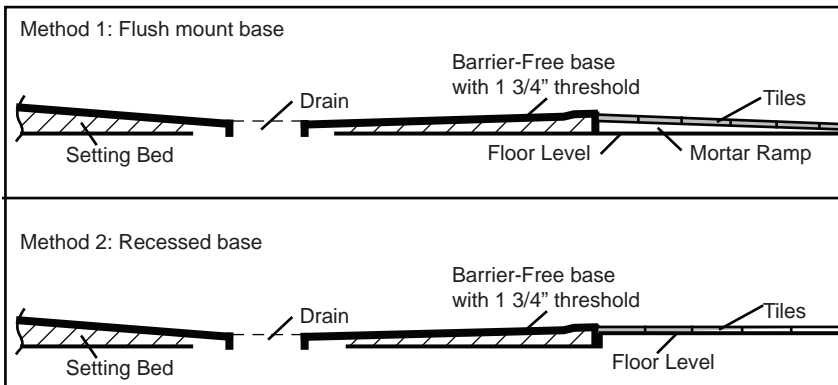
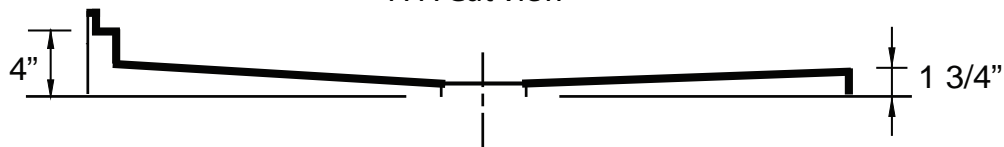


Diagram not to scale.

All Measurements:  $\pm 1/4"$

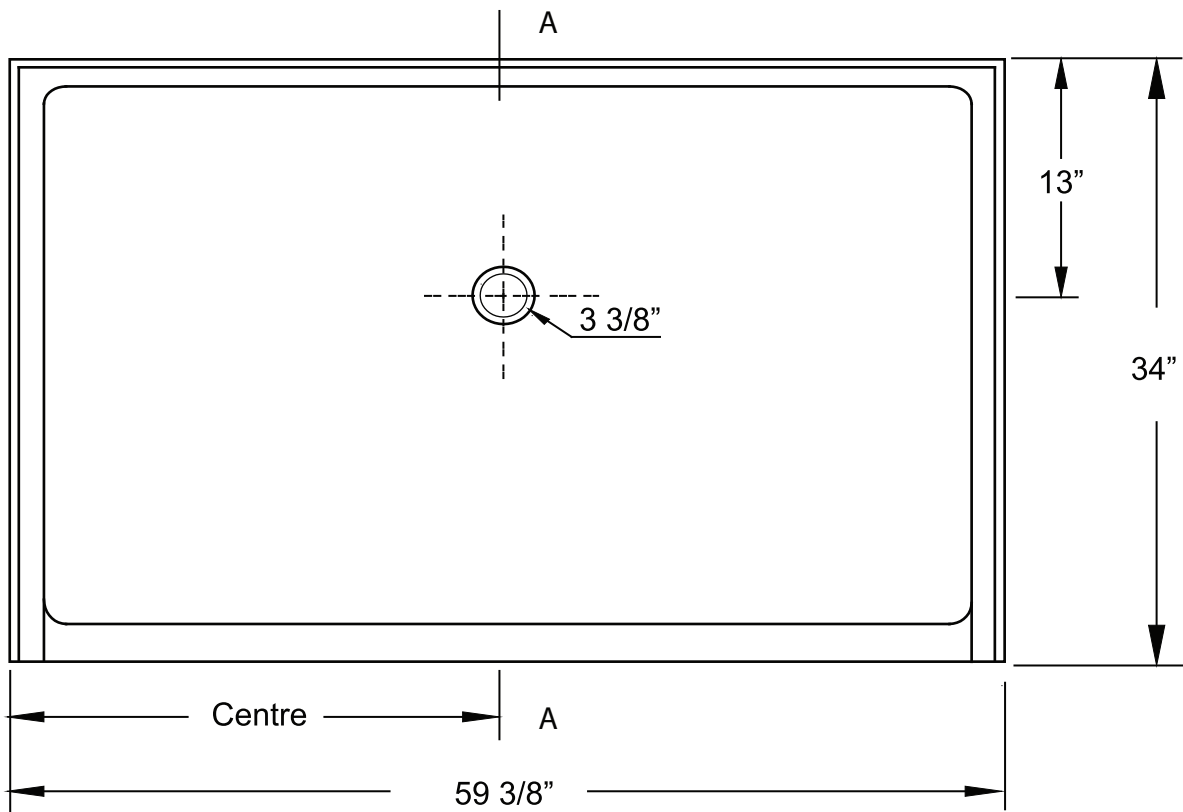
Drain Hole:  $3 \frac{3}{8}"$

Shower base trimmed to fit 54" x 36" rough opening.

Barrier Free shower bases are designed to accommodate a collapsible threshold. These are available as an accessory from Acritec.

# Shower Base 60"x 34"

Barrier Free



A-A Cut View

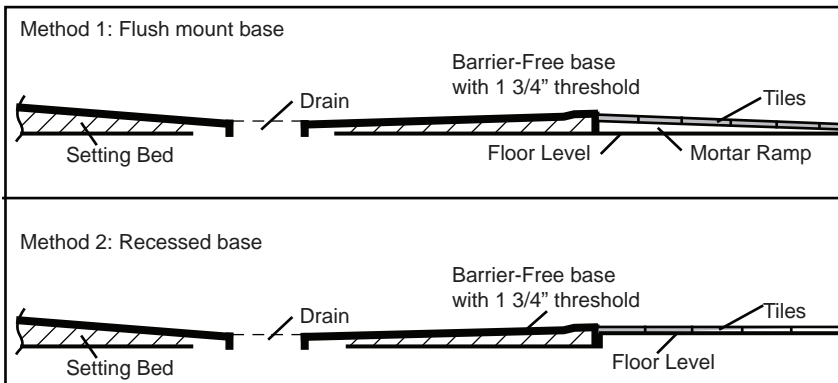
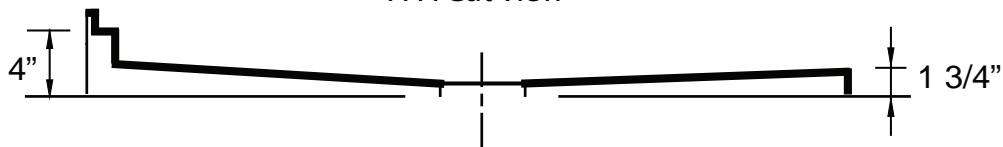


Diagram not to scale.

All Measurements:  $\pm 1/4"$

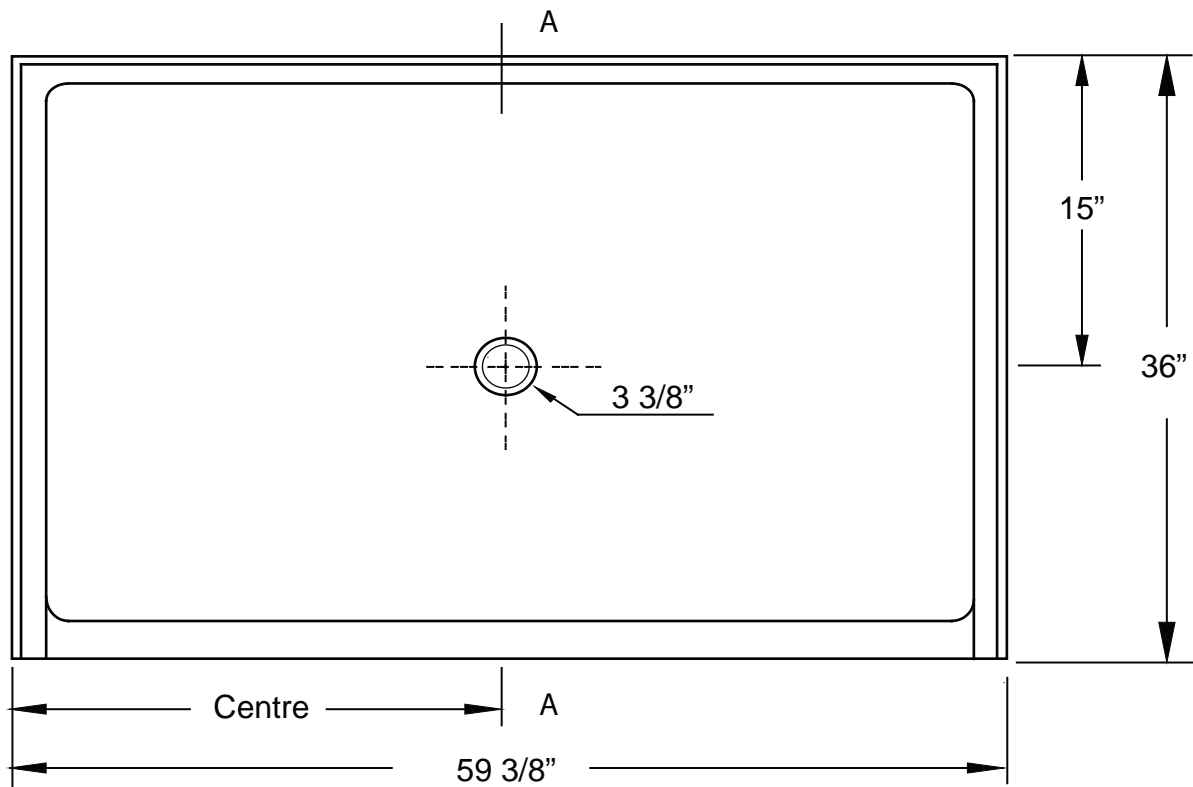
Drain Hole: 3 3/8"

Shower base trimmed to fit 60" x 34" rough opening.

Barrier Free shower bases are designed to accommodate a collapsible threshold. These are available as an accessory from Acri-tec.

# Shower Base 60"x 36"

Barrier Free



A-A Cut View

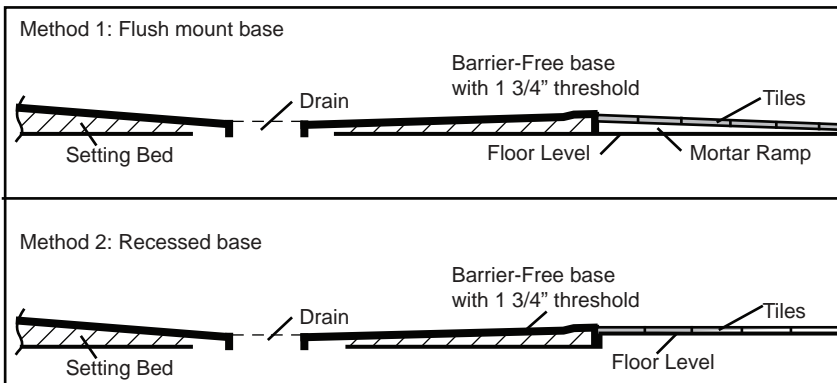
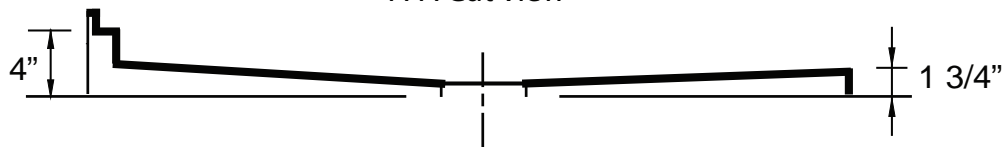


Diagram not to scale.

All Measurements:  $\pm 1/4"$

Drain Hole: 3 3/8"

Shower base trimmed to fit 60" x 36" rough opening.

Barrier Free shower bases are designed to accommodate a collapsible threshold.  
These are available as an accessory from Acritec.

# Shower Base 60" x 38"

Barrier Free

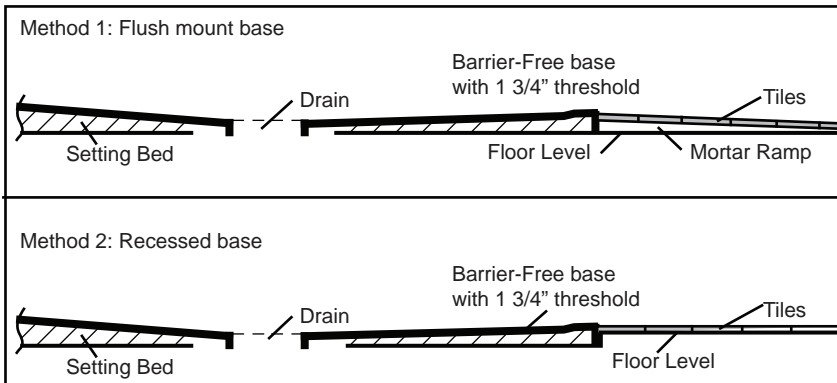
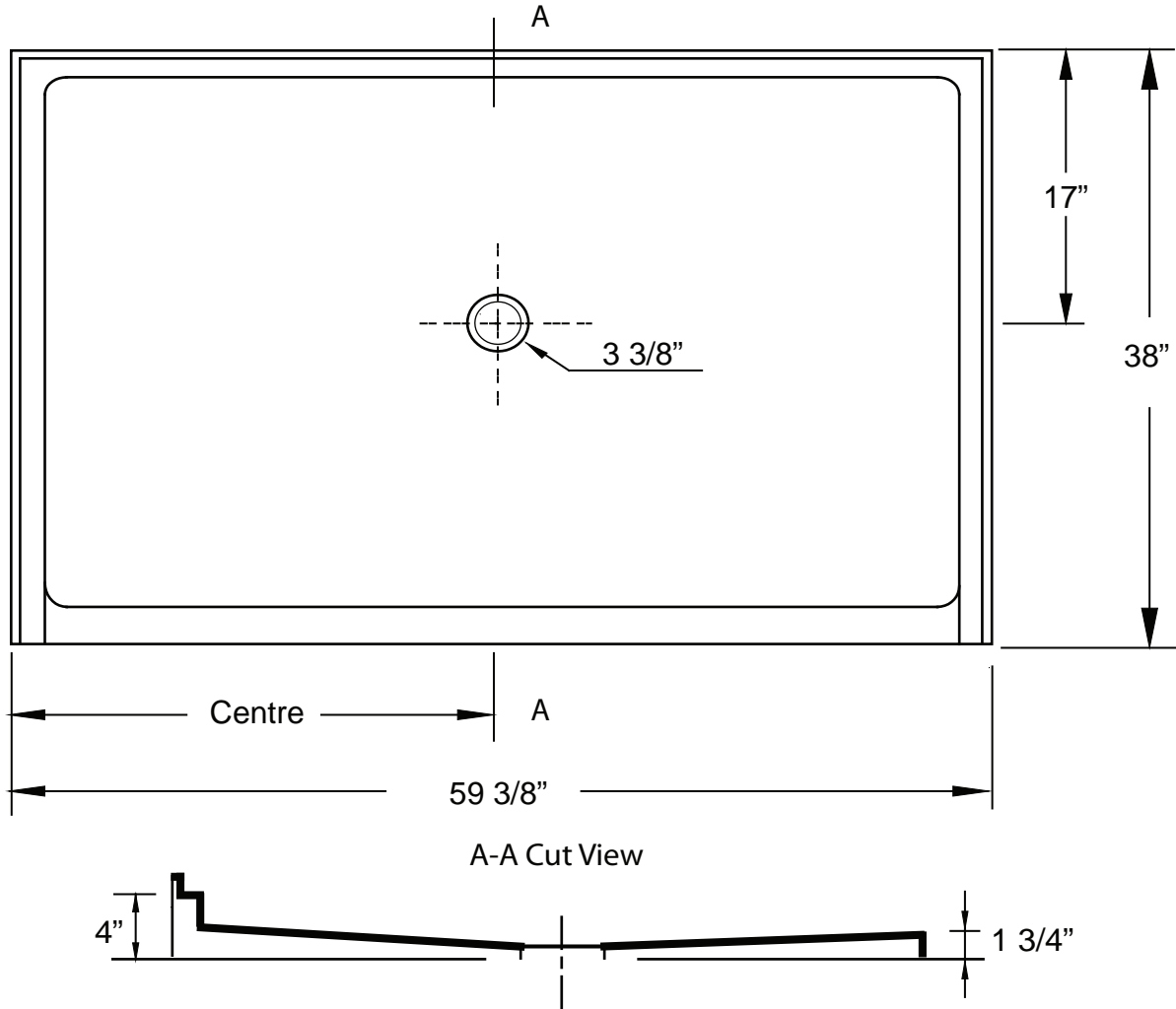


Diagram not to scale.

All Measurements:  $\pm 1/4"$

Drain Hole: 3 3/8"

Shower base trimmed to fit 60" x 38" rough opening.

Barrier Free shower bases are designed to accommodate a collapsible threshold. These are available as an accessory from Acri-tec.

# Shower Base 60"x 40"

Barrier Free

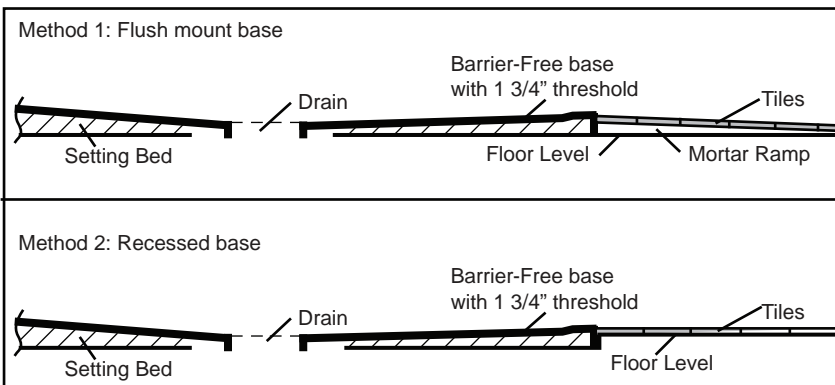
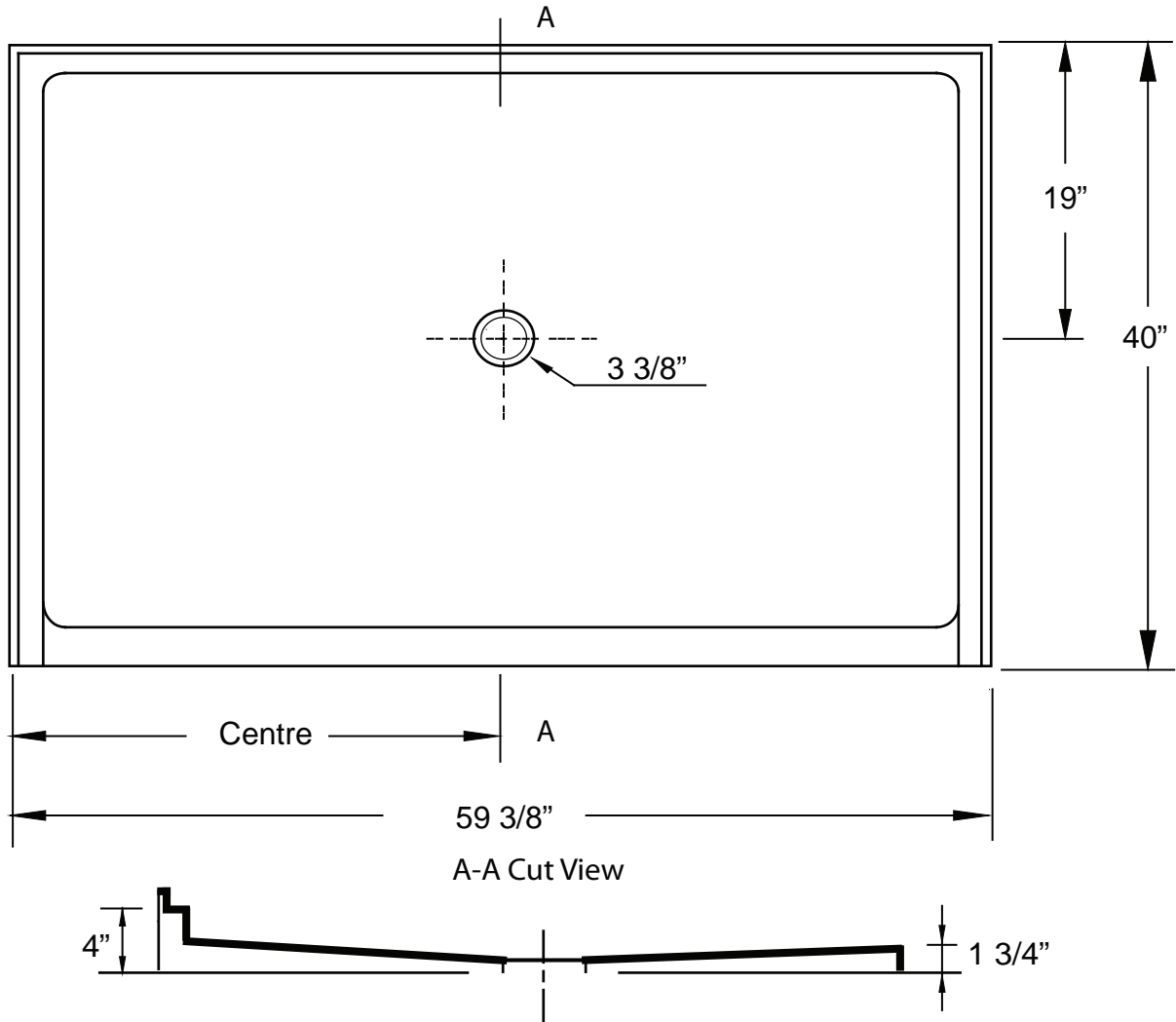


Diagram not to scale.

All Measurements:  $\pm 1/4"$

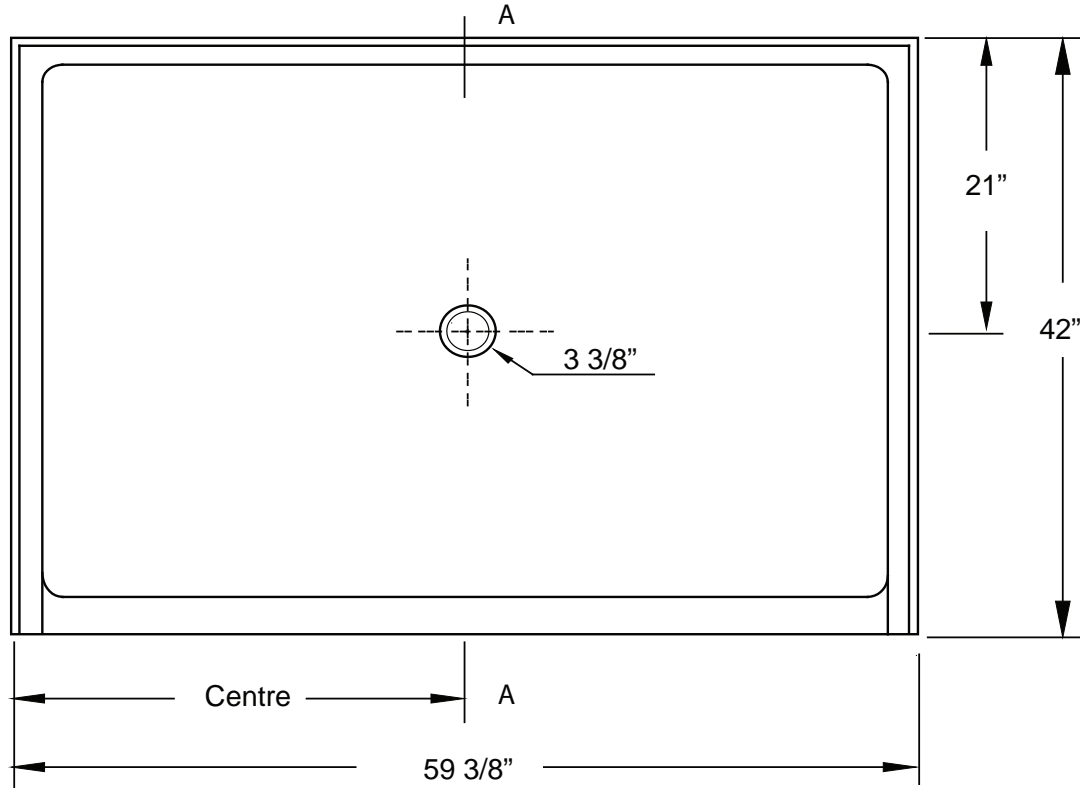
Drain Hole:  $3 3/8"$

Shower base trimmed to fit 60" x 40" rough opening.

Barrier Free shower bases are designed to accommodate a collapsible threshold.  
These are available as an accessory from Acri-tec.

## Shower Base 60"x 42"

Barrier Free



A-A Cut View

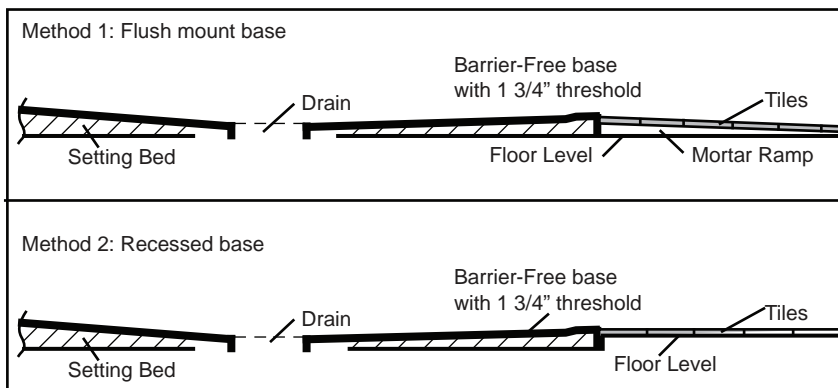
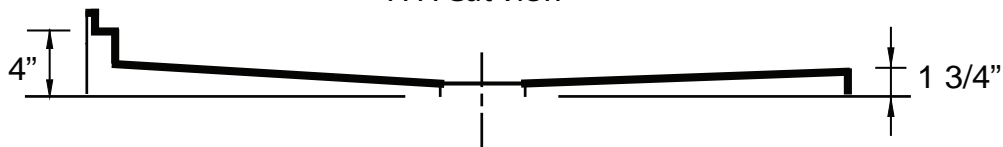


Diagram not to scale.

All Measurements:  $\pm 1/4"$

Drain Hole:  $3 3/8"$

Shower base trimmed to fit 60" x 42" rough opening.

Barrier Free shower bases are designed to accommodate a collapsible threshold.  
These are available as an accessory from Acri-tec.

# Shower Seat 28 1/2" x 17 1/2"

Assisted Living Products

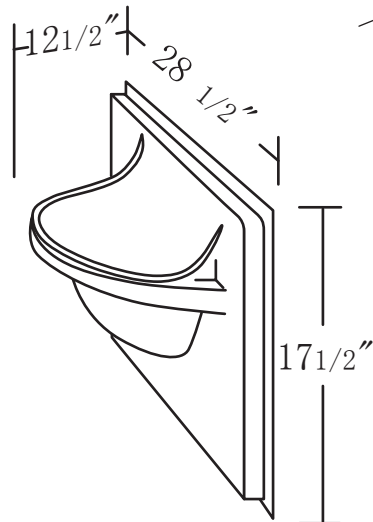
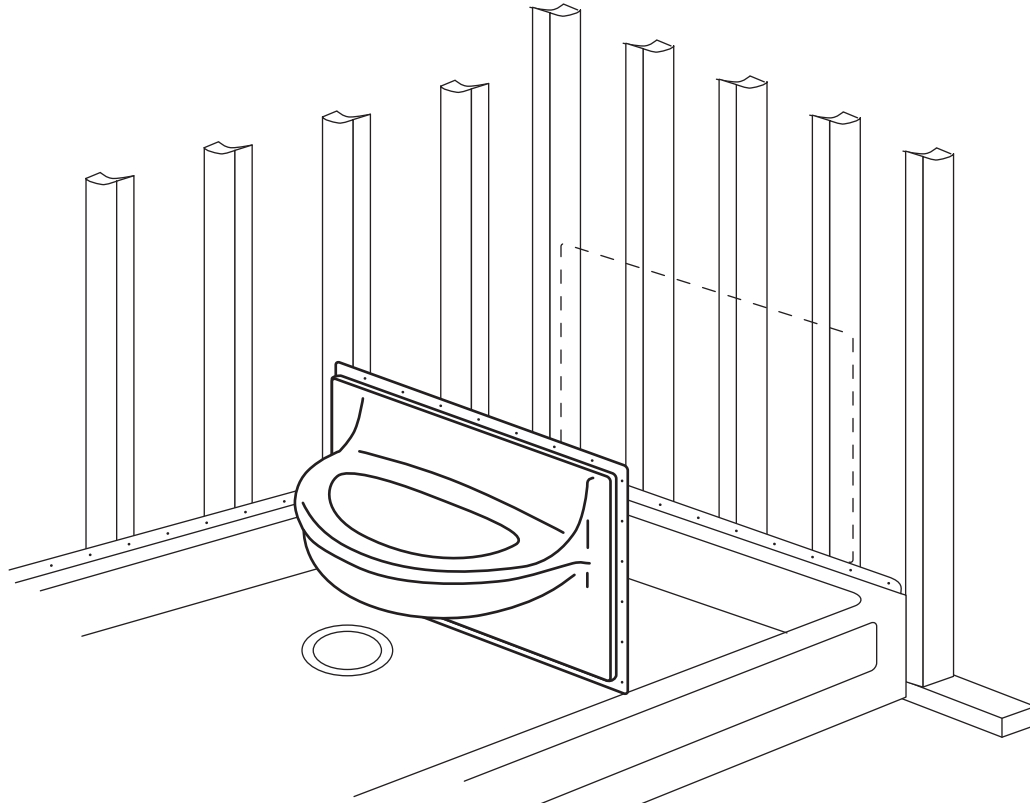


Diagram not to scale.

All Measurements:  $\pm 1/4"$