

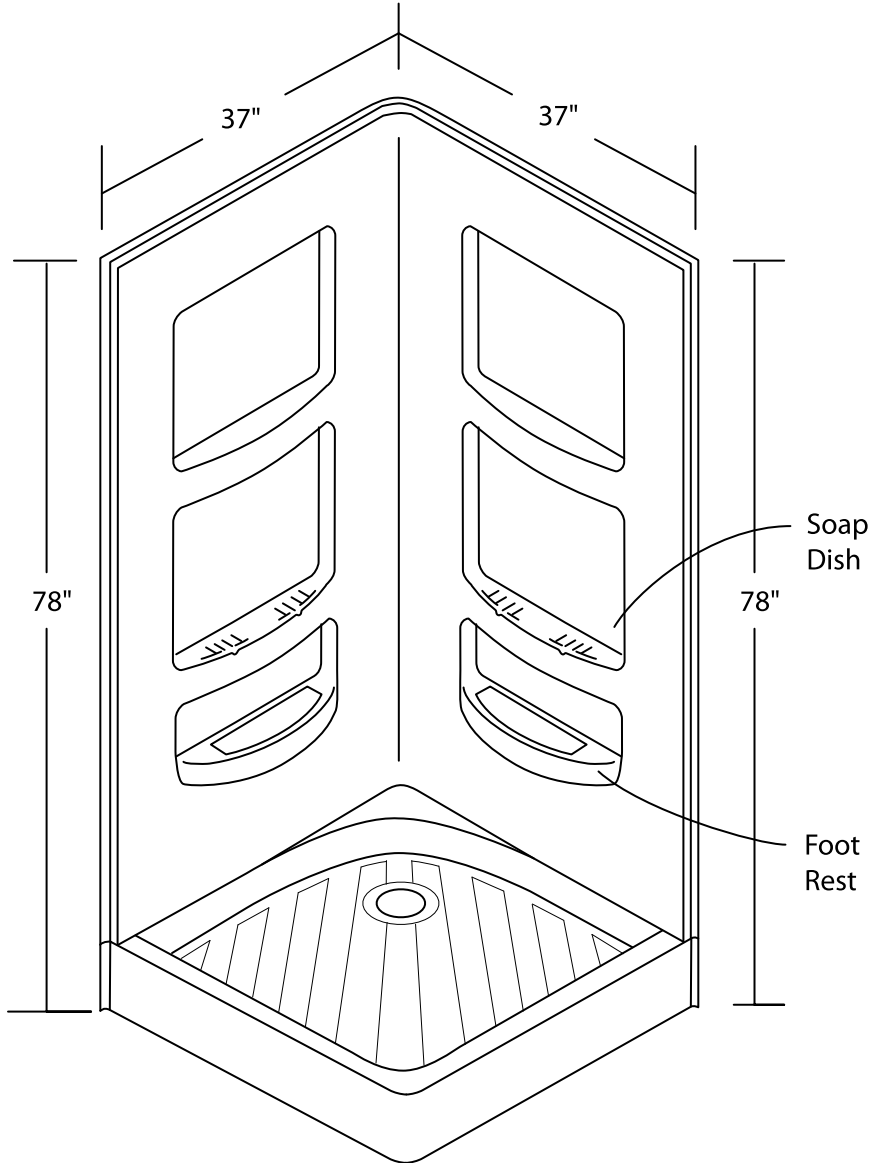


Acri-Tec Industries Corp.
32829 London Avenue, Mission, BC V2V 6M7
Tel: (604) 826-3100 Fax: (604) 826-3149
sales@acritec.com

36" Double-Threshold Shower

Renovator 3 Piece

With Unique Base



Drain Hole: 3 3/8"
Centreline Door Measurement
32 3/4" x 32 3/4"