

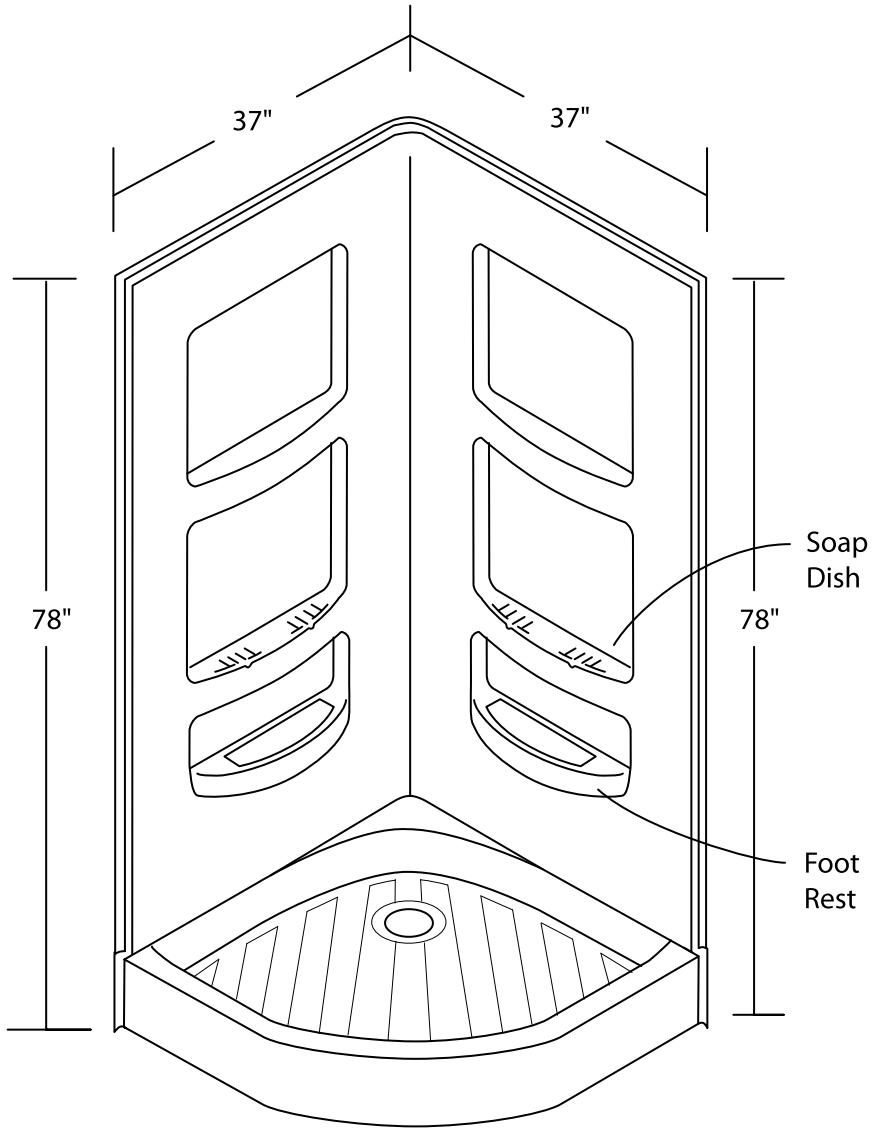


**Acri-Tec Industries Corp.**  
32829 London Avenue, Mission, BC V2V 6M7  
Tel: (604) 826-3100 Fax: (604) 826-3149  
sales@acritec.com

# 36" Round Front Shower

Renovator 3 Piece

With Unique Base



Drain Hole: 3 3/8"