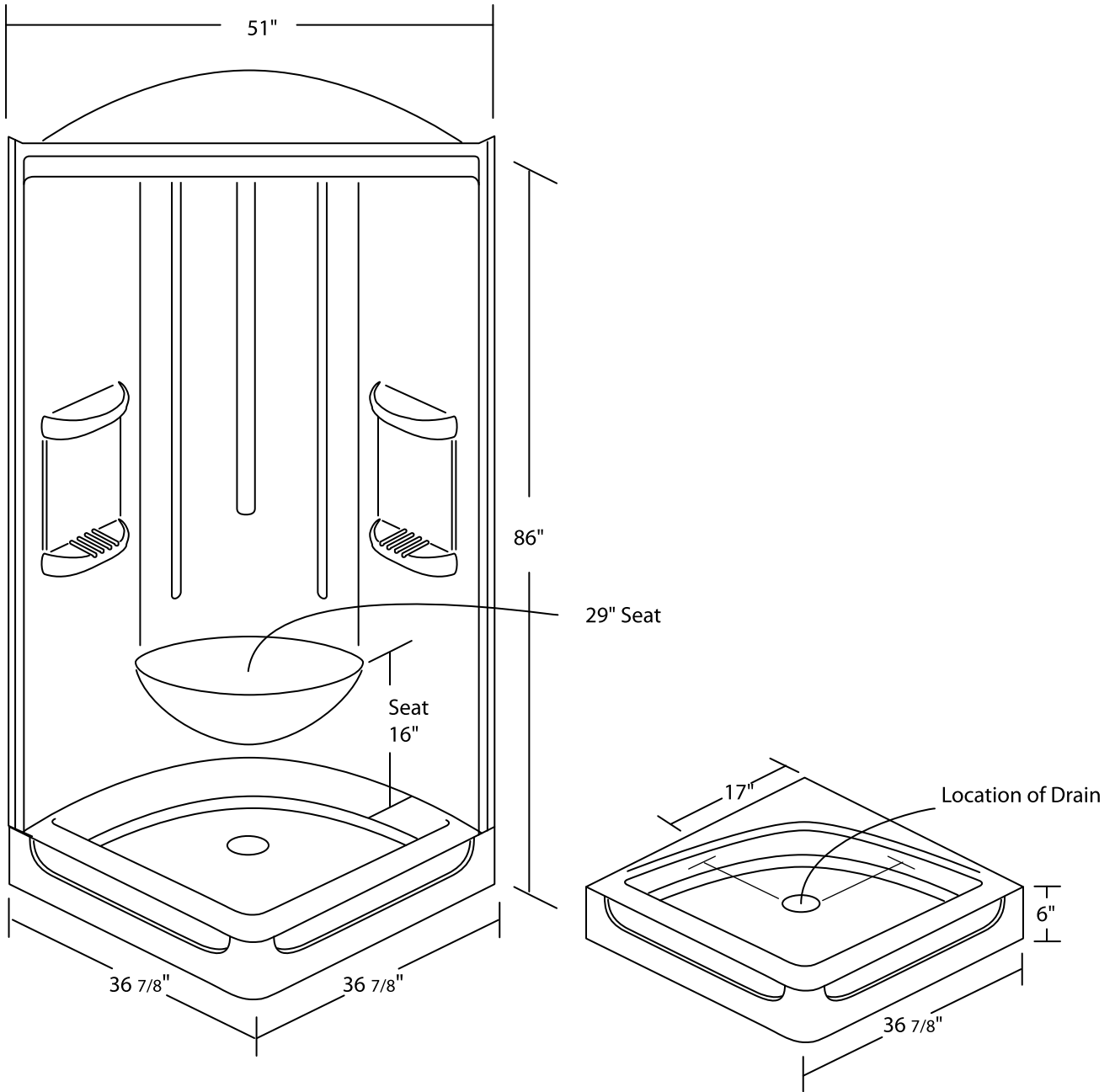




**Acri-Tec Industries Corp.**  
32829 London Avenue, Mission, BC V2V 6M7  
Tel: (604) 826-3100 Fax: (604) 826-3149  
sales@acritec.com

## Mystique 36"x36" Shower Acrylic 2-Piece Shower



Drain Hole: 3 3/8"

Cneterline Door Measurement: 33 1/2"x 33 1/2"