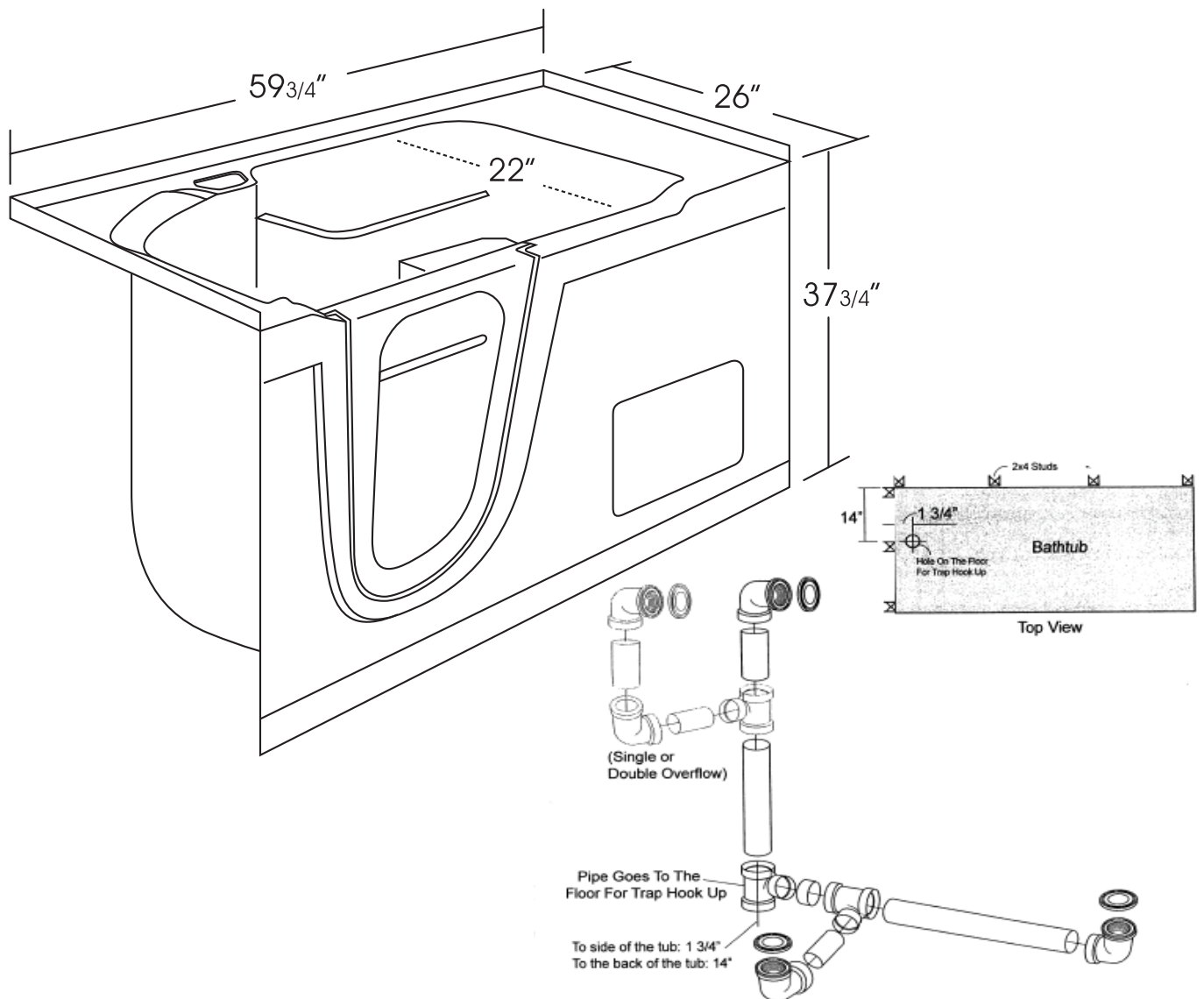


Independence Walk-In Tub 60"x 26"

Available in Left Hand or Right Hand Drain Configurations



Door opening: 18" wide
Dual drain. Drainage time: 2 minutes
Bathtub well width: 22" above the seat
Ledge height from floor: 8"
Depth to center of overflow: 28"
Seat: 15 1/2" high, 15" deep, 19" wide

Access panel for pump or blower: 15"x12"
Capacity: 52 imperial gallons/220 litres/57.7 US gallons
Weight: 165 lbs
Dimensions: 62"x28"x45 1/2"
Cubed weight: 480 lbs

Drain Hole: 2"
Overflow Hole: 2 1/4"