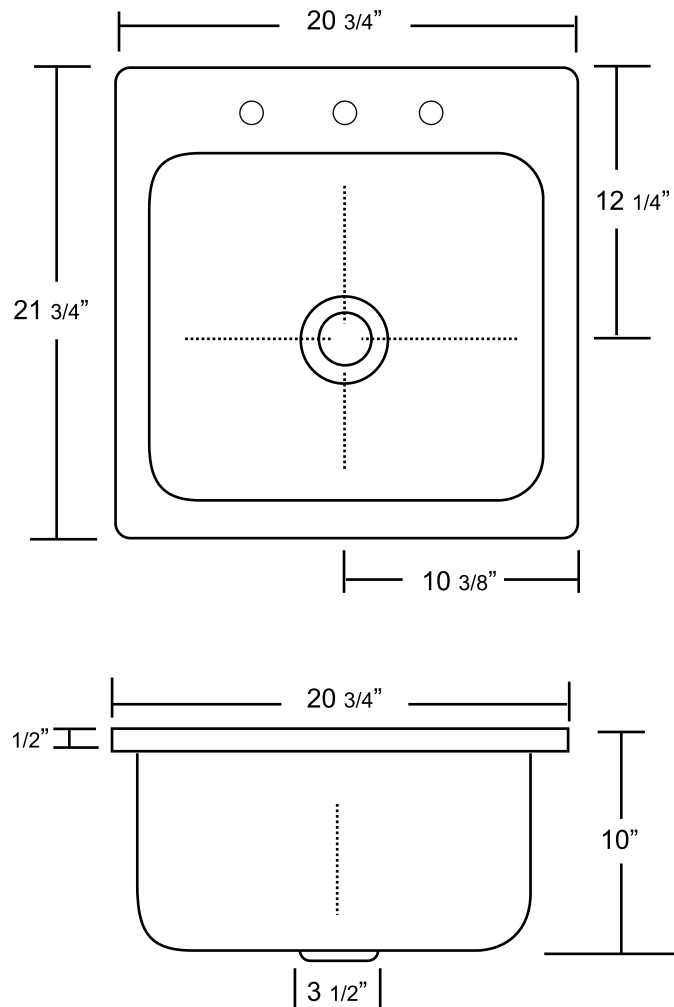




**Acri-Tec Industries Corp.**  
32829 London Avenue, Mission, BC V2V 6M7  
Tel: (604) 826-3100 Fax: (604) 826-3149  
sales@acritec.com

## Classic Laundry Sink 20 3/4" x 21 3/4" Acrylic Sinks



All Measurements:  $\pm 1/4"$   
Drain Hole: 3 1/2"  
Faucet Holes: 1 1/4"