

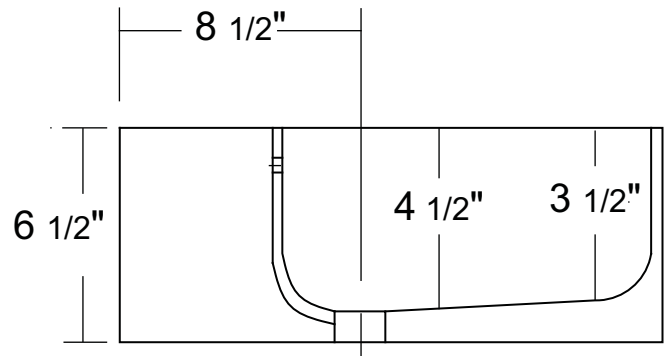
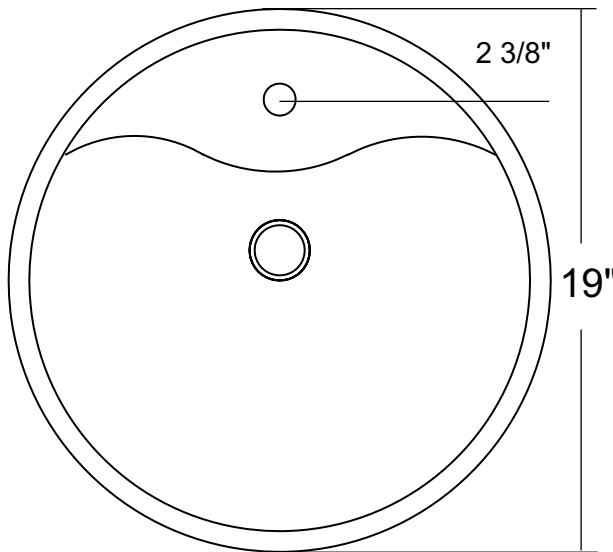
36401

ROUND COUNTERTOP BASIN

19" X 19" X 6 1/2"



DETAILED DIMENSIONS*



Diagrams not to scale
All measurements $\pm 1/4$ "
1 year limited warranty against manufacturer's defects
This sink complies with CSA Standards

* In keeping with our policy of continued product improvement, Acri-tec reserves the right to change product specifications without notice.