

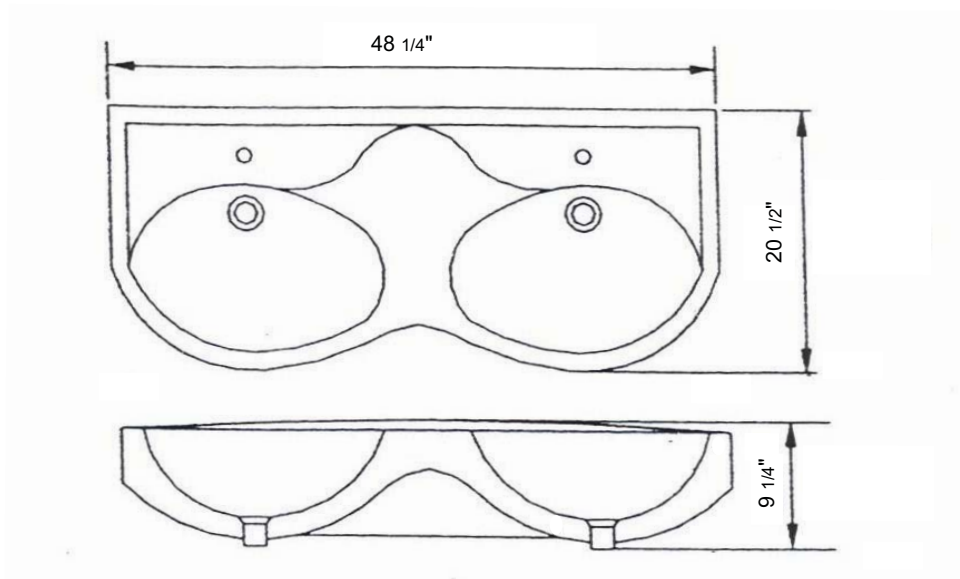
36421

DOUBLE COUNTERTOP BASIN

48 1/4" X 20 1/2" X 9 1/4"



DETAILED DIMENSIONS*



Diagrams not to scale

All measurements $\pm 1/4$ "

1 year limited warranty against manufacturer's defects

This sink complies with CSA Standards

* In keeping with our policy of continued product improvement, Acri-tec reserves the right to change product specifications without notice.