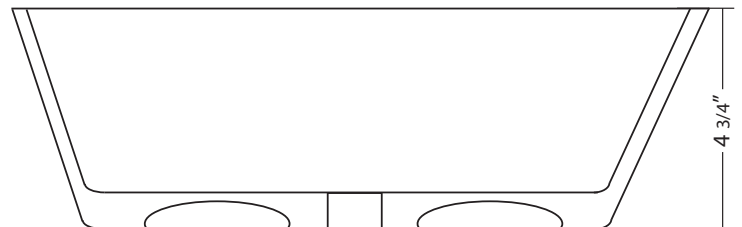
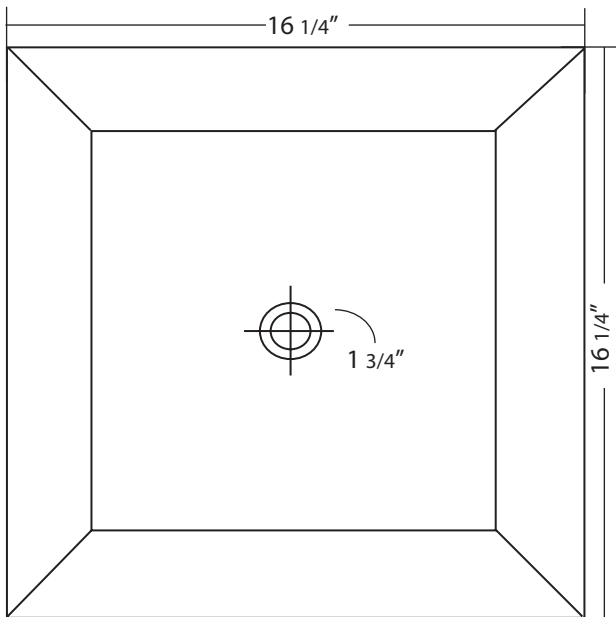


36442

SQUARE COUNTERTOP BASIN 16 1/4" X 16 1/4" X 4 3/4"



DETAILED DIMENSIONS*



Diagrams not to scale
 All measurements $\pm 1/4$ "
 1 year limited warranty against manufacturer's defects
 This sink complies with CSA Standards

* In keeping with our policy of continued product improvement, Acritec reserves the right to change product specifications without notice.