

# 36451

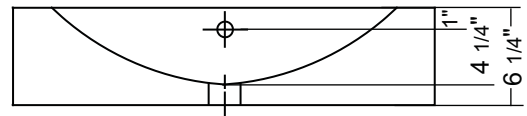
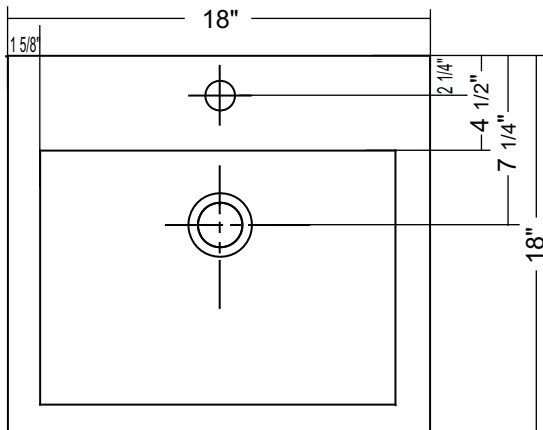
## Neptune Square Countertop Basin

### 18" x 18" x 6 1/4"



\*1 year limited manufacturer's warranty included

### CERAMIC SINK DIMENSIONS



This sink complies with CSA Standards

Diagram not to scale

All measurements  $\pm 1/4"$

In keeping with our policy of continuing product improvement, Acri-Tec Industries Corp., reserves the right to change product specifications without notice.