

# 36461

## Neptune Square Countertop Basin

### 19" x 19" x 6 1/2"



\*1 year limited manufacturer's warranty included

### CERAMIC SINK DIMENSIONS

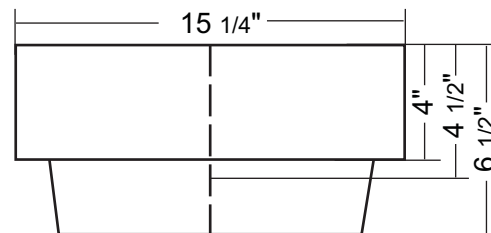
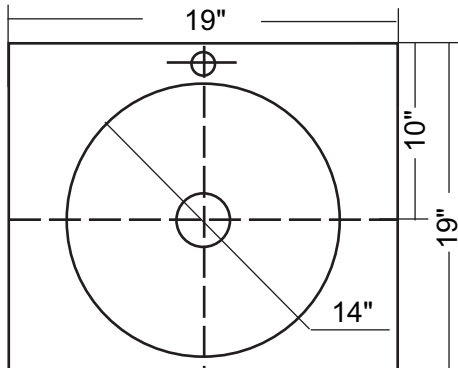


Diagram not to scale

All measurements  $\pm 1/4"$



This sink complies with CSA Standards

In keeping with our policy of continuing product improvement, Acri-Tec Industries Corp., reserves the right to change product specifications without notice.