

36471

Neptune Round Countertop Basin

18 1/2" x 16 1/2" x 5 1/2"



*1 year limited manufacturer's warranty included

CERAMIC SINK DIMENSIONS

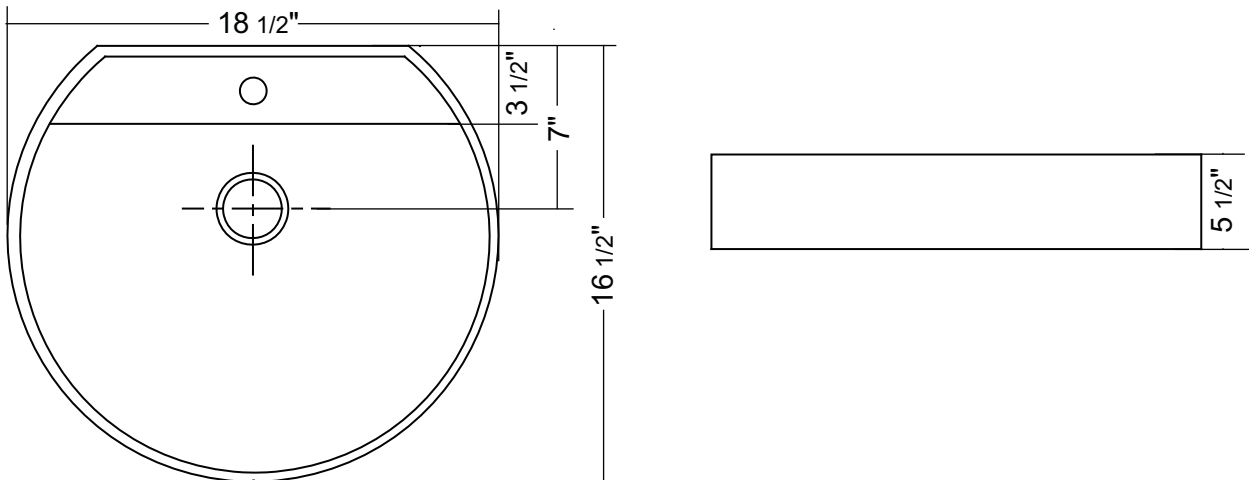


Diagram not to scale

All measurements $\pm 1/4$ "



This sink complies with CSA Standards

In keeping with our policy of continuing product improvement, Acri-Tec Industries Corp., reserves the right to change product specifications without notice.