

# 36491

## Neptune Round Countertop Basin

19" x 19" x 7 1/2"



\*1 year limited manufacturer's warranty included

### CERAMIC SINK DIMENSIONS

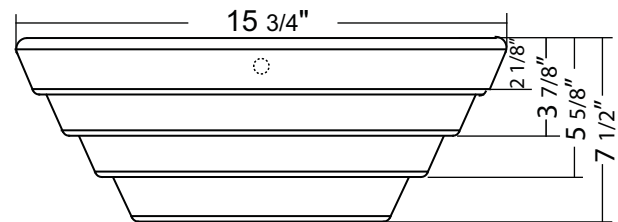
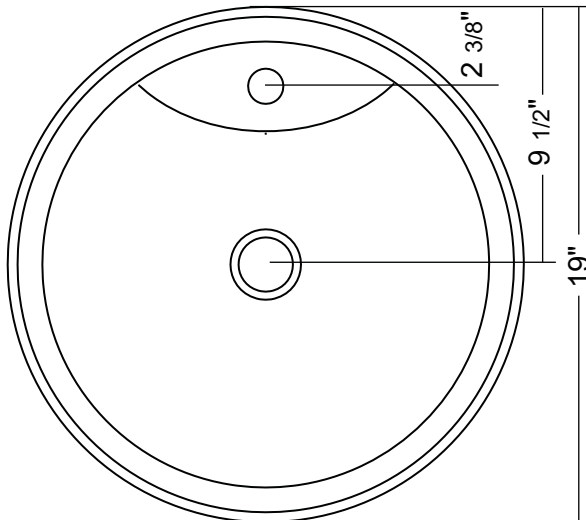


Diagram not to scale

All measurements  $\pm 1/4$ "



This sink complies with CSA Standards

In keeping with our policy of continuing product improvement, Acri-Tec Industries Corp., reserves the right to change product specifications without notice.