



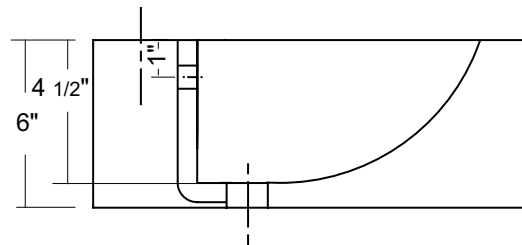
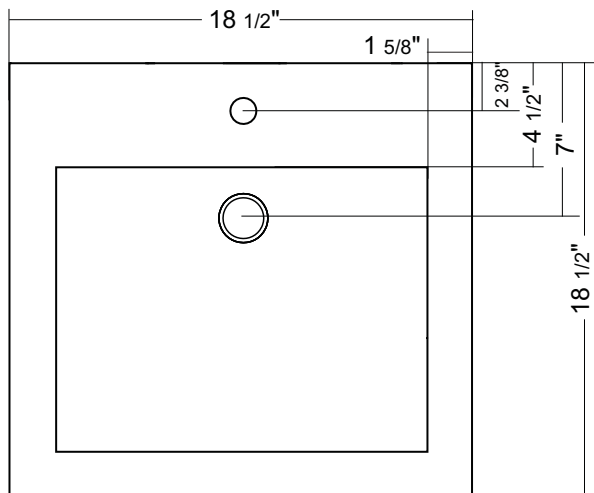
**36511** (SINGLE HOLE)

**36514** (4" CC)

SQUARE COUNTERTOP BASIN

18 1/2" X 18 1/2" X 6"

DETAILED DIMENSIONS\*



Diagrams not to scale  
 All measurements  $\pm 1/4$ "  
 1 year limited warranty against manufacturer's defects  
 This sink complies with CSA Standards

\* In keeping with our policy of continued product improvement, Acritec reserves the right to change product specifications without notice.