

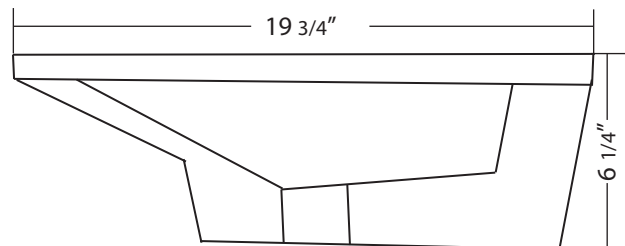
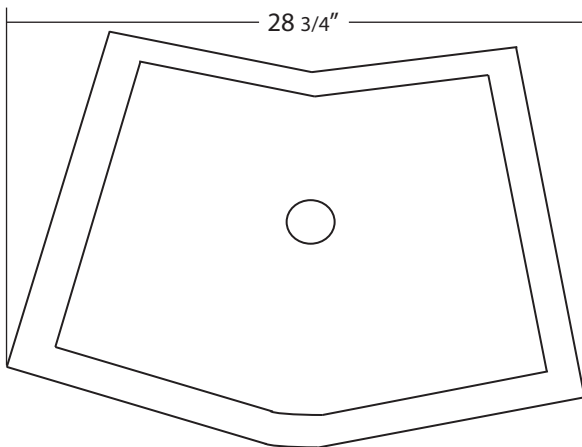


# 36519

## RECTANGULAR COUNTERTOP BASIN

28 3/4" X 19 3/4" X 6 1/4"

### DETAILED DIMENSIONS\*



Diagrams not to scale  
All measurements  $\pm 1/4$ "  
1 year limited warranty against manufacturer's defects  
This sink complies with CSA Standards

\* In keeping with our policy of continued product improvement, Acri-tec reserves the right to change product specifications without notice.