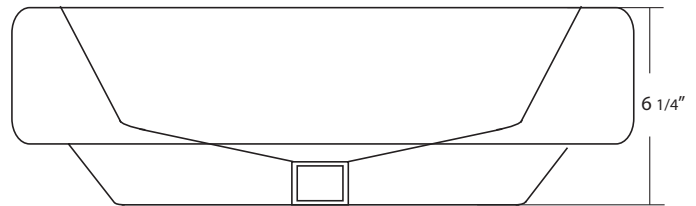
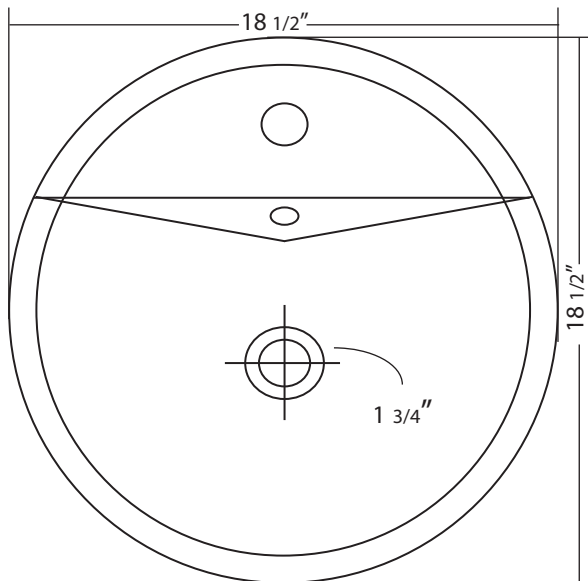


# 36552

## ROUND COUNTERTOP BASIN 18 1/2" X 18 1/2" X 6 1/4"



### DETAILED DIMENSIONS\*



Diagrams not to scale  
All measurements  $\pm 1/4"$   
1 year limited warranty against manufacturer's defects  
This sink complies with CSA Standards

\* In keeping with our policy of continued product improvement, Acritec reserves the right to change product specifications without notice.