

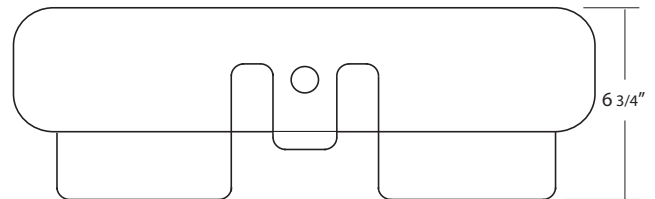
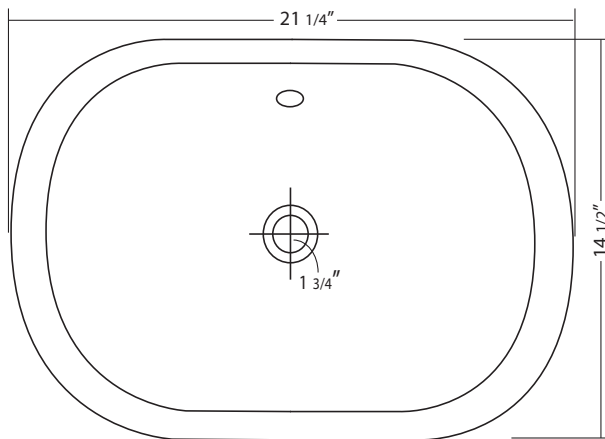
# 36555

## OVAL COUNTERTOP BASIN

22 1/4" X 14 1/2" X 6 3/4"



### DETAILED DIMENSIONS\*



Diagrams not to scale  
All measurements  $\pm 1/4$ "  
1 year limited warranty against manufacturer's defects  
This sink complies with CSA Standards

\* In keeping with our policy of continued product improvement, Acritec reserves the right to change product specifications without notice.