



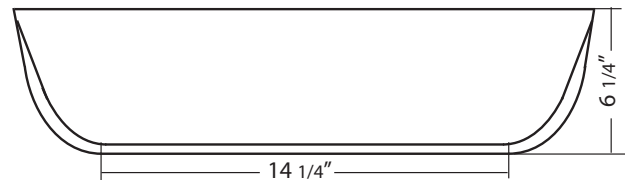
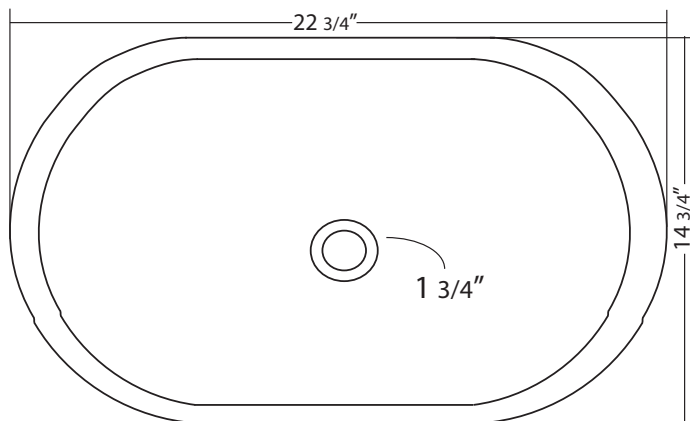
36560

OVAL COUNTERTOP BASIN

22 3/4" X 14 3/4" X 6 1/4"



DETAILED DIMENSIONS*



Diagrams not to scale
All measurements $\pm 1/4"$
1 year limited warranty against manufacturer's defects
This sink complies with CSA Standards

* In keeping with our policy of continued product improvement, Acri-tec reserves the right to change product specifications without notice.