

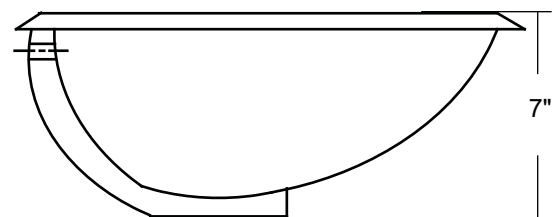
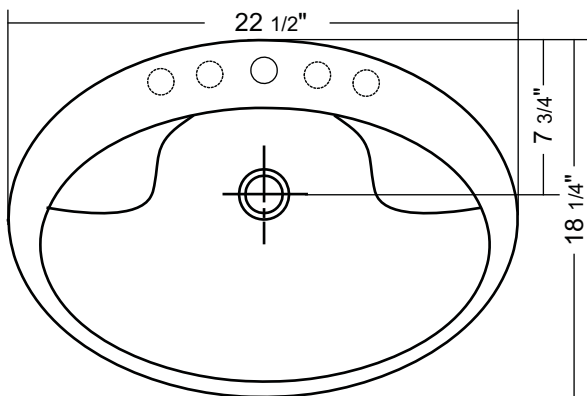
36764 (4" CC)

36768 (8" CC)

OVAL DROP-IN BASIN
22 1/2" X 18 1/4" X 7"



DETAILED DIMENSIONS*



Diagrams not to scale
All measurements $\pm 1/4$ "
1 year limited warranty against manufacturer's defects
This sink complies with CSA Standards

* In keeping with our policy of continued product improvement, Acri-tec reserves the right to change product specifications without notice.