



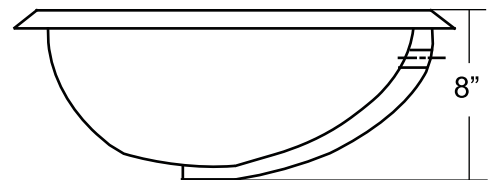
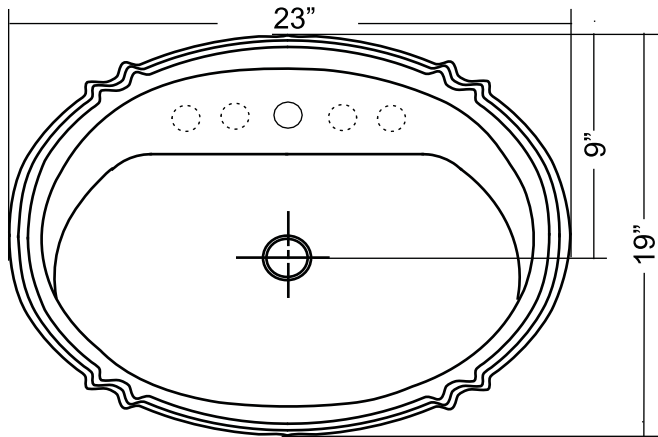
36781 (SINGLE HOLE)

36784 (4" CC)

36788 (8" CC)

OVAL DROP-IN BASIN  
 23" X 19" X 8"

DETAILED DIMENSIONS\*



Diagrams not to scale  
 All measurements  $\pm 1/4"$   
 1 year limited warranty against manufacturer's defects  
 This sink complies with CSA Standards

\* In keeping with our policy of continued product improvement, Acri-tec reserves the right to change product specifications without notice.