

36811 (SINGLE HOLE)

36814 (4" CC)

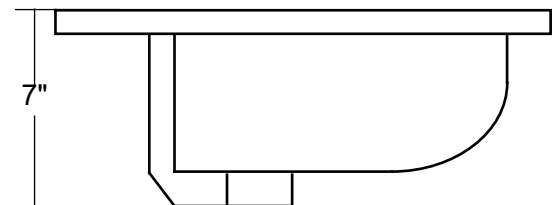
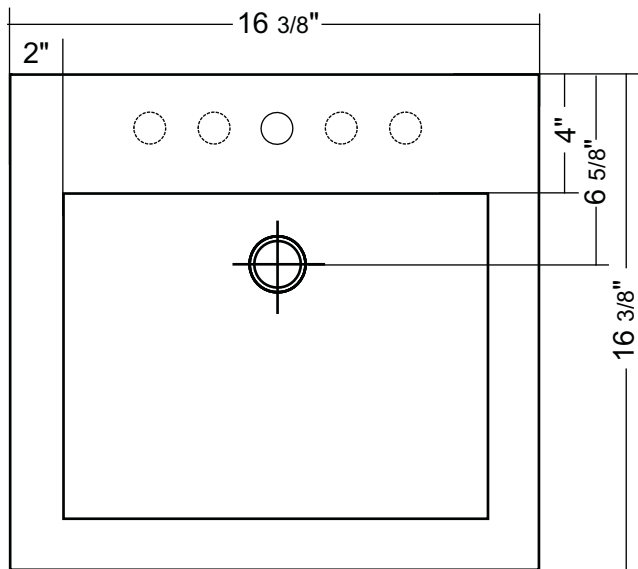
36818 (8" CC)

SQUARE DROP-IN BASIN

16 3/8" X 16 3/8" X 7"



DETAILED DIMENSIONS*



Diagrams not to scale
All measurements $\pm 1/4$ "
1 year limited warranty against manufacturer's defects
This sink complies with CSA Standards

* In keeping with our policy of continued product improvement, Acri-tec reserves the right to change product specifications without notice.