

36821 (SINGLE HOLE)

36824 (4" CC)

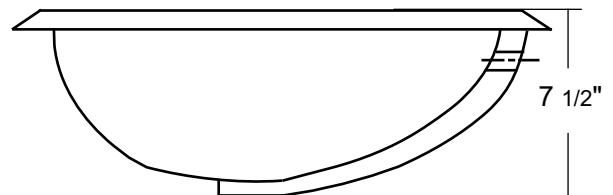
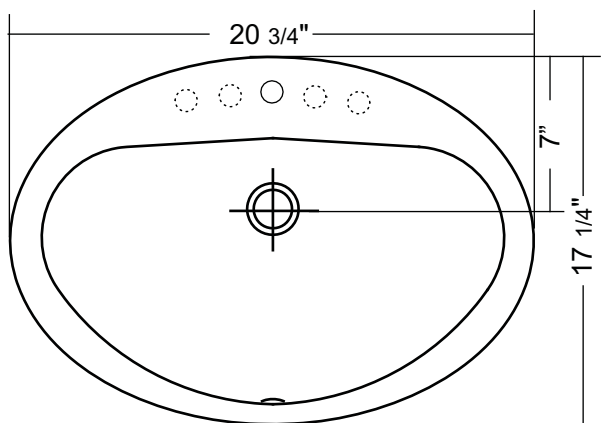
36828 (8" CC)

OVAL DROP-IN BASIN

20 3/4" X 17 1/4" X 7 1/2"



DETAILED DIMENSIONS*



Diagrams not to scale
All measurements $\pm 1/4$ "
1 year limited warranty against manufacturer's defects
This sink complies with CSA Standards

* In keeping with our policy of continued product improvement, Acri-tec reserves the right to change product specifications without notice.