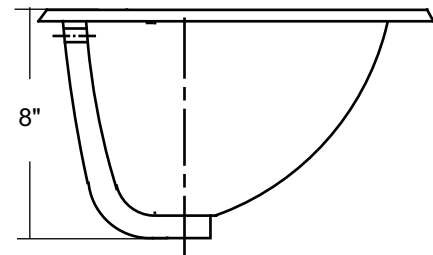
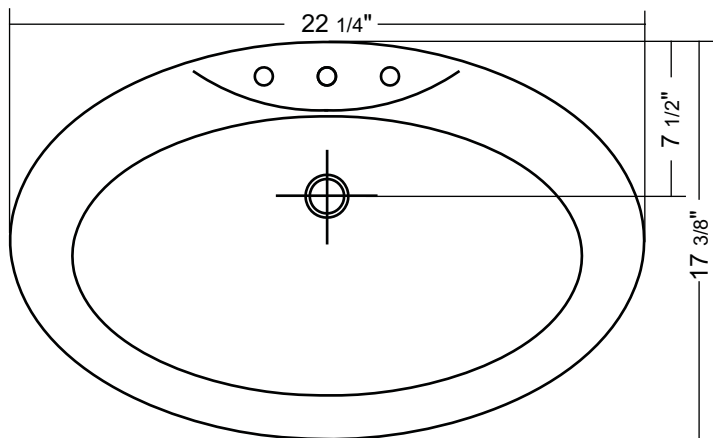




**36834** (4" CC)  
 OVAL DROP-IN BASIN  
 22 1/4" X 17 3/8" X 8"

**DETAILED DIMENSIONS\***



Diagrams not to scale  
 All measurements  $\pm 1/4$ "  
 1 year limited warranty against manufacturer's defects  
 This sink complies with CSA Standards

\* In keeping with our policy of continued product improvement, Acri-tec reserves the right to change product specifications without notice.