

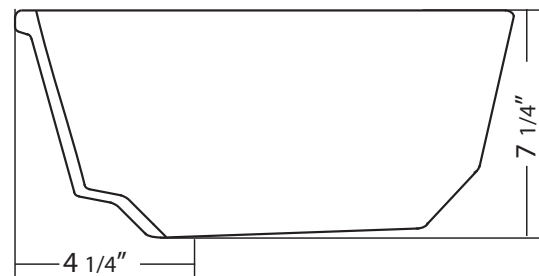
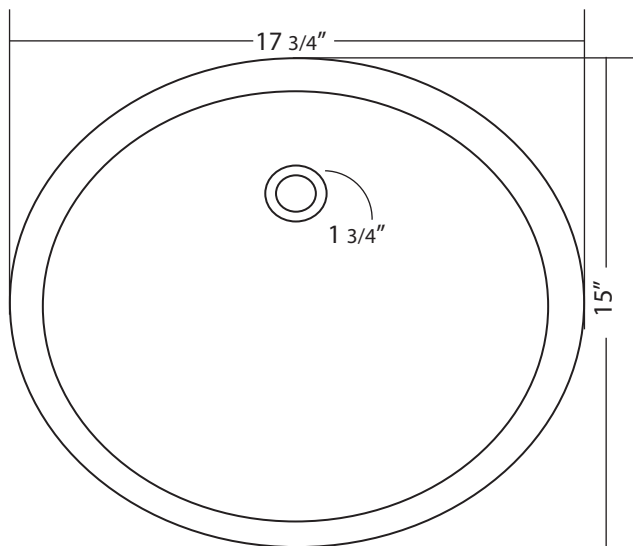
36905

OVAL UNDER-MOUNT BASIN

17 3/4" X 15" X 7 1/4"



DETAILED DIMENSIONS*



Diagrams not to scale
All measurements $\pm 1/4$ "
1 year limited warranty against manufacturer's defects
This sink complies with CSA Standards

* In keeping with our policy of continued product improvement, Acritec reserves the right to change product specifications without notice.