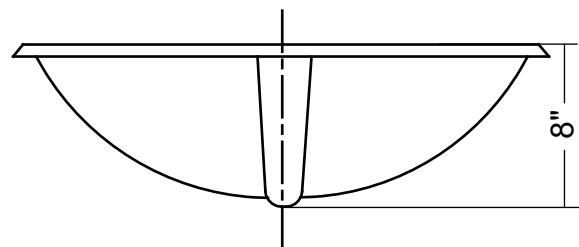
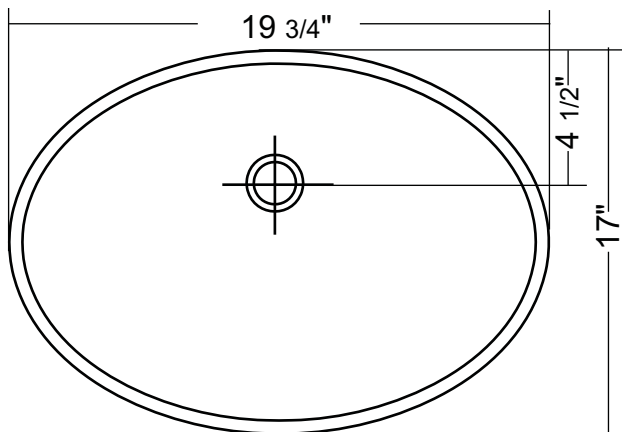




36910

OVAL UNDER-MOUNT BASIN
 19 3/4" X 17" X 8"

DETAILED DIMENSIONS*



Diagrams not to scale
 All measurements $\pm 1/4$ "
 1 year limited warranty against manufacturer's defects
 This sink complies with CSA Standards

* In keeping with our policy of continued product improvement, Acri-tec reserves the right to change product specifications without notice.