

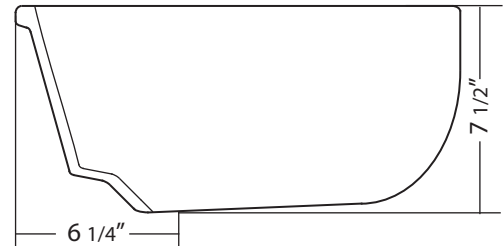
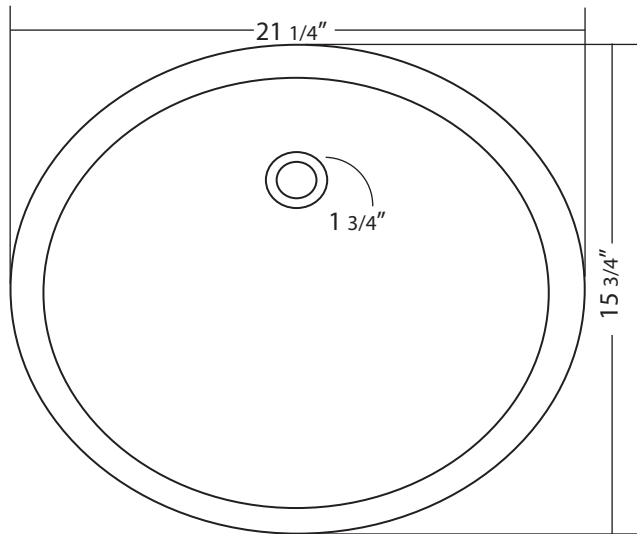
# 36915

OVAL UNDER-MOUNT BASIN

21 1/4" X 15 3/4" X 7 1/2"



## DETAILED DIMENSIONS\*



Diagrams not to scale  
All measurements  $\pm 1/4$ "  
1 year limited warranty against manufacturer's defects  
This sink complies with CSA Standards

\* In keeping with our policy of continued product improvement, Acritec reserves the right to change product specifications without notice.