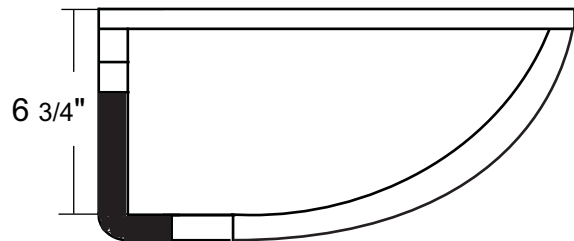
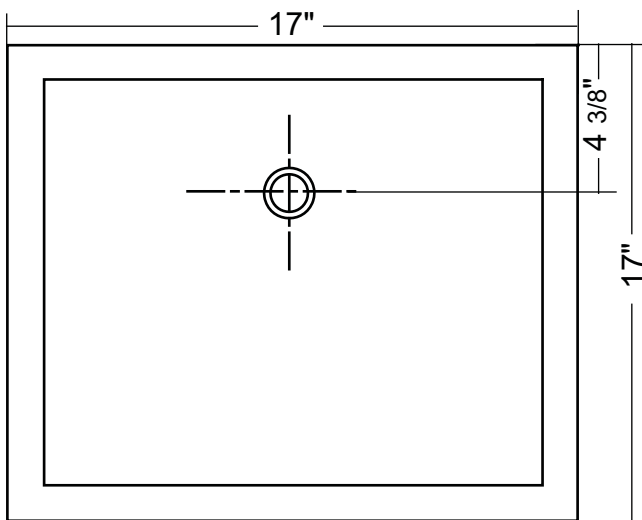




36940

SQUARE UNDER-MOUNT BASIN
 17" X 17" X 6 3/4"

DETAILED DIMENSIONS*



Diagrams not to scale
 All measurements $\pm 1/4"$
 1 year limited warranty against manufacturer's defects
 This sink complies with CSA Standards

* In keeping with our policy of continued product improvement, Acri-tec reserves the right to change product specifications without notice.