

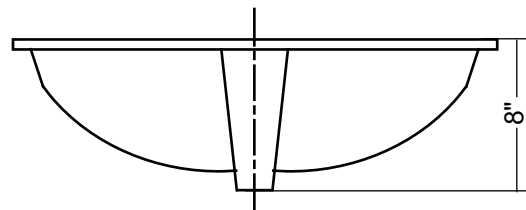
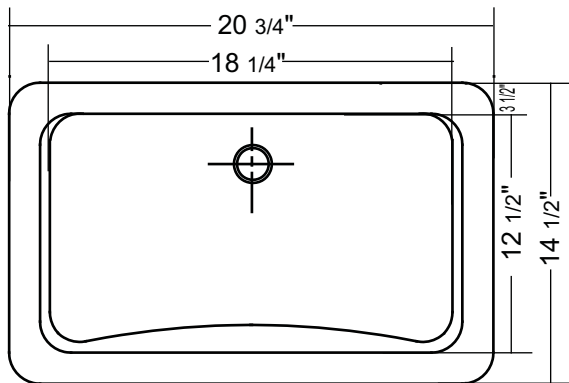
36950

RECTANGULAR UNDER-MOUNT BASIN

20 3/4" X 14 1/2" X 8"



DETAILED DIMENSIONS*



Diagrams not to scale
All measurements $\pm 1/4$ "
1 year limited warranty against manufacturer's defects
This sink complies with CSA Standards

* In keeping with our policy of continued product improvement, Acritec reserves the right to change product specifications without notice.