

# 30131-RM1818

Zen Collection Basin

18 1/8" x 18" x 5"



- Faucet Hole Drilling available
- Countertop sink
- Available with a finished back

\*1 year limited manufacturer's warranty included

## ZEN SINK DIMENSIONS

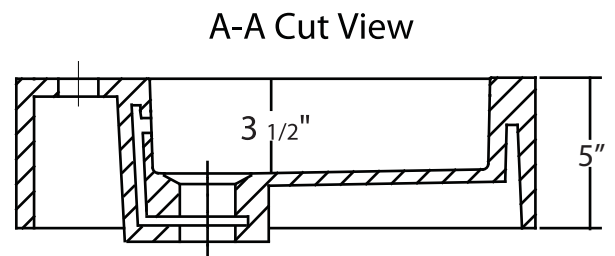
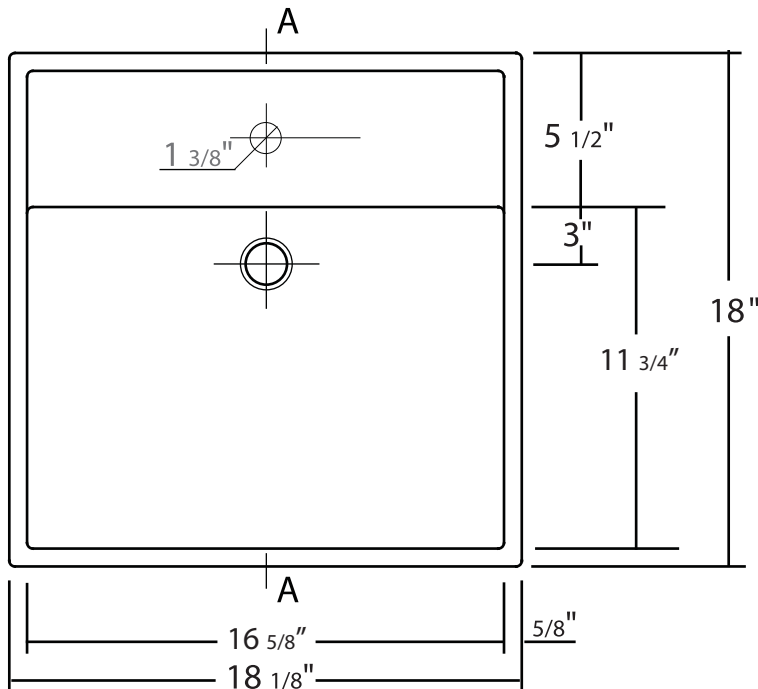


Diagram not to scale

All measurements  $\pm 1/4$ "

In keeping with our policy of continuing product improvement, Acri-Tec Industries Corp., reserves the right to change product specifications without notice.