

30141-RM2120

Zen Collection Basin

20 1/8" x 19 1/2" x 6 1/8"



- Faucet Hole Drilling available
- Countertop sink
- Available with a semi-recessed back

*1 year limited manufacturer's warranty included

ZEN SINK DIMENSIONS

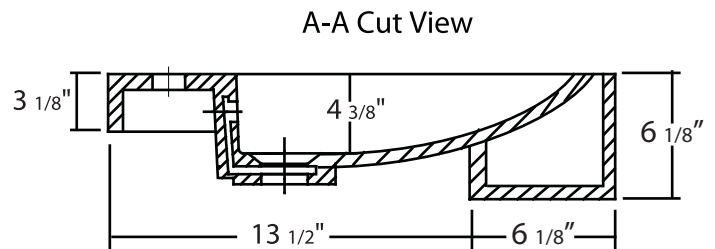
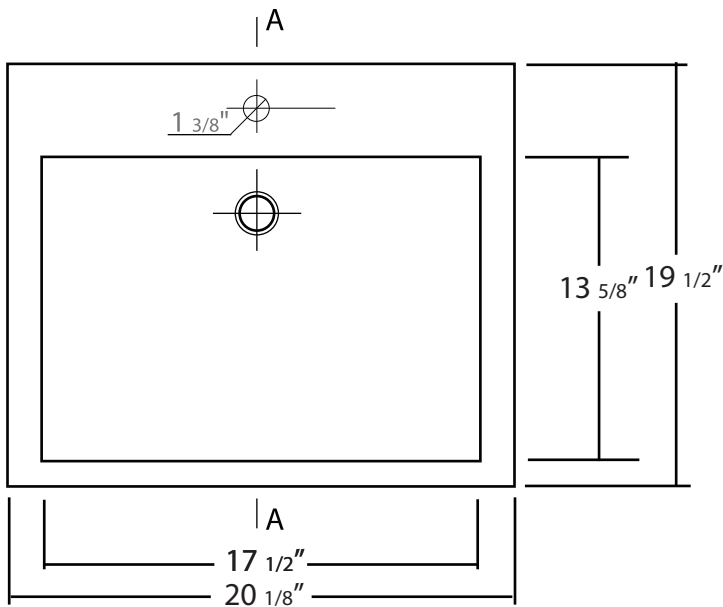


Diagram not to scale

All measurements $\pm 1/4"$

In keeping with our policy of continuing product improvement, Acri-Tec Industries Corp., reserves the right to change product specifications without notice.