

# 30121-RA5520

Zen Collection Basin

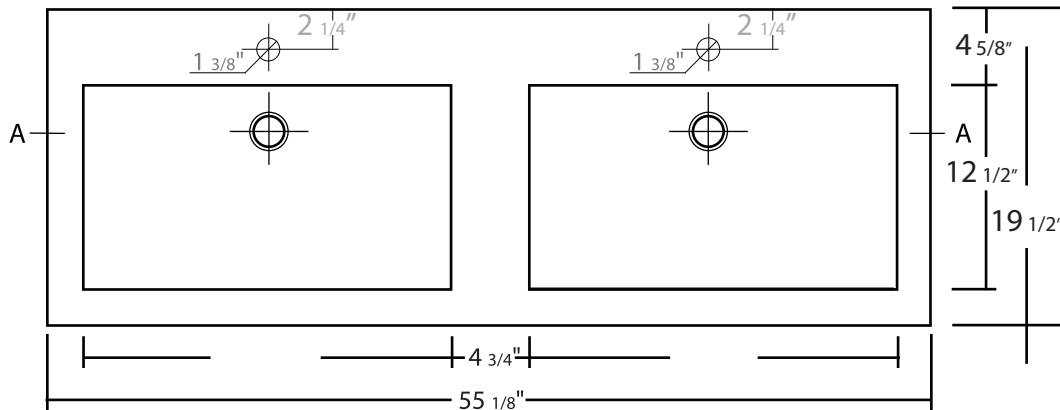
55 1/8" x 19 1/2" x 4"



- Faucet Hole Drilling available
- Countertop sink
- Back of sink is notched to allow for easy installation of faucet

\*1 year limited manufacturer's warranty included

## ZEN SINK DIMENSIONS



A-A Cut View

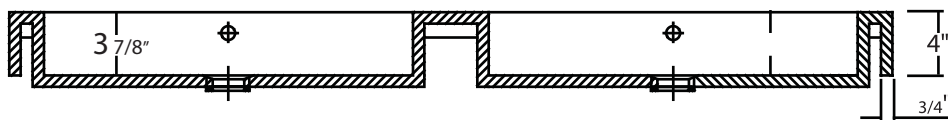


Diagram not to scale  
All measurements  $\pm 1/4$ "

In keeping with our policy of continuing product improvement, Acri-Tec Industries Corp., reserves the right to change product specifications without notice.