

30122-RA5520 (LP)

Zen Collection Basin

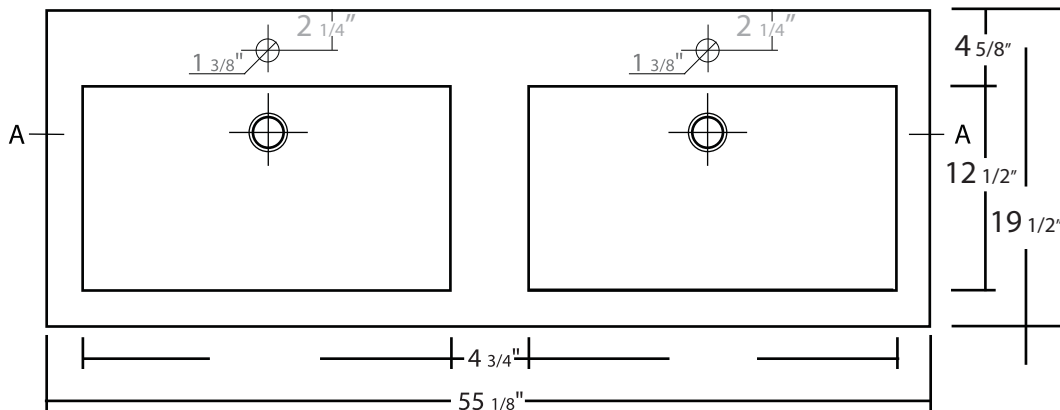
55 1/8" x 19 1/2" x 1 5/8"



- Low Profile Design
- Faucet Hole Drilling available
- Countertop sink
- Back of sink is notched to allow for easy installation of faucet

*1 year limited manufacturer's warranty included

ZEN SINK DIMENSIONS



A-A Cut View

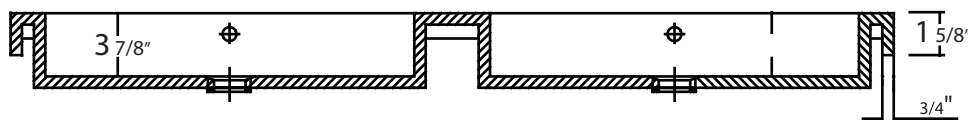


Diagram not to scale

All measurements $\pm 1/4"$

In keeping with our policy of continuing product improvement, Acric-Tec Industries Corp., reserves the right to change product specifications without notice.