

# 30151-RM2418

Zen Collection Basin

**23 3/8" x 17 5/8" x 5"**



- Faucet Hole Drilling available
- Countertop sink
- Available with a finished or non-finished back

\*1 year limited manufacturer's warranty included

## ZEN SINK DIMENSIONS

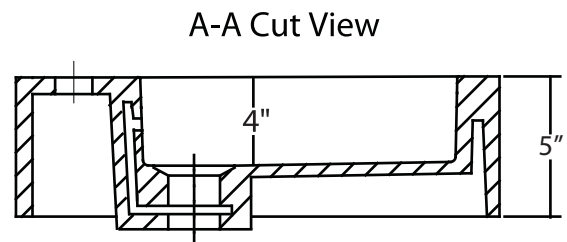
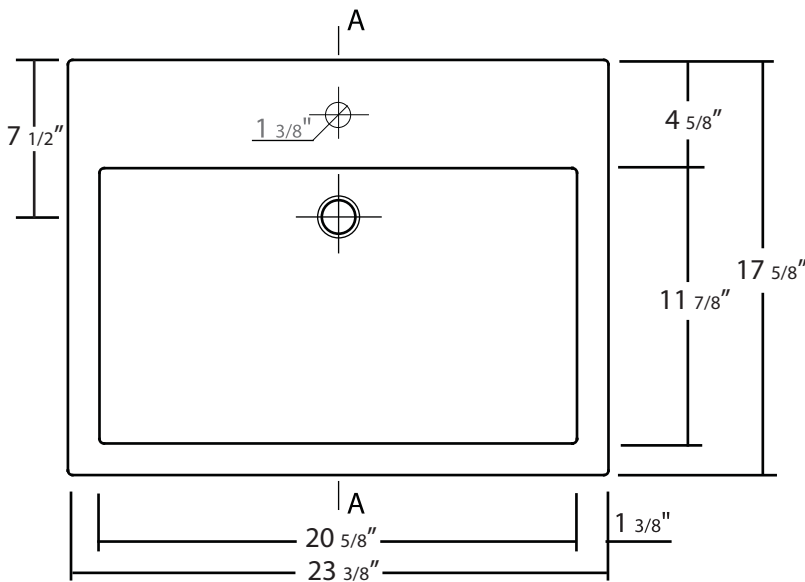


Diagram not to scale

All measurements  $\pm 1/4"$

In keeping with our policy of continuing product improvement, Acri-Tec Industries Corp., reserves the right to change product specifications without notice.