

30152-RM2418 (LP)

Zen Collection Basin

23 3/8" x 17 5/8" x 2 1/4"



- Low Profile Design
- Faucet Hole Drilling available
- Countertop sink
- Available with a finished or non-finished back

*1 year limited manufacturer's warranty included

ZEN SINK DIMENSIONS

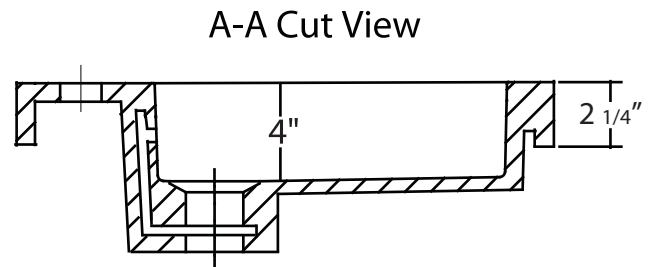
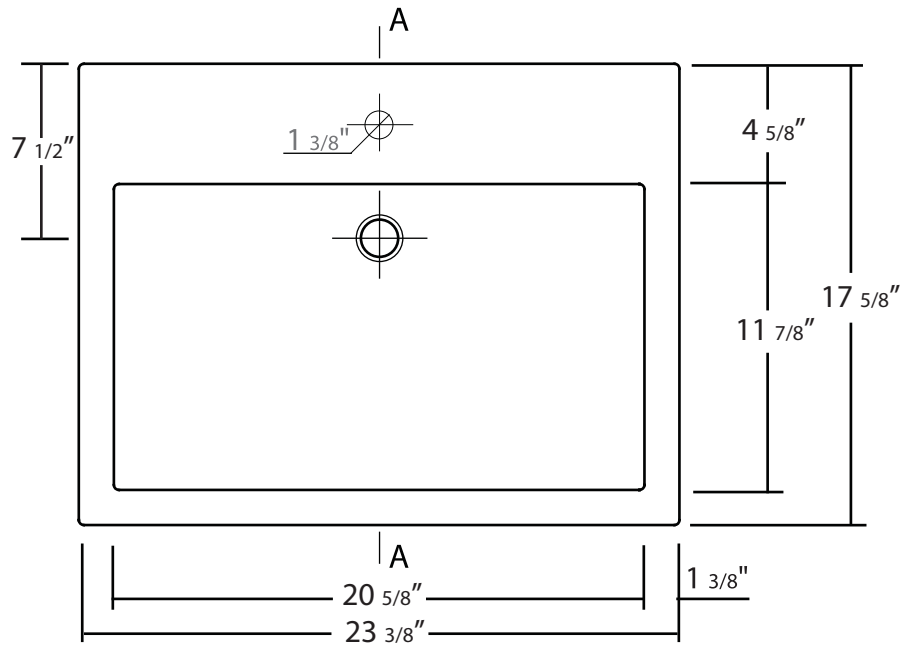


Diagram not to scale

All measurements $\pm 1/4"$

In keeping with our policy of continuing product improvement, Acri-Tec Industries Corp., reserves the right to change product specifications without notice.