

EDWARDIAN

Clawfoot Series

66" x 31" x 18"

FINISH

- Interior: smooth, high gloss acrylic
- Exterior: smooth, high gloss acrylic
- Comes standard with factory installed chrome legs.

OPTIONS

- Legs are available in:
 - Brushed Nickel
 - White
 - Polished Brass

ACCESSORIES

- Waste & Overflow are available in:
 - Brushed Nickel
 - Chrome
 - Polished Brass

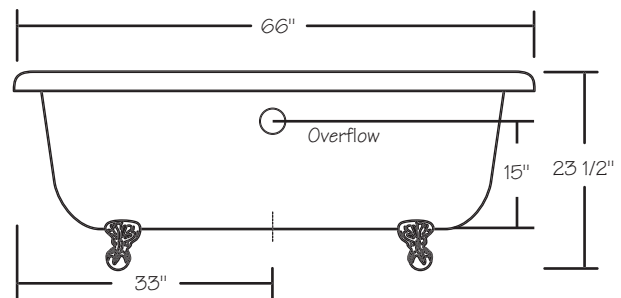
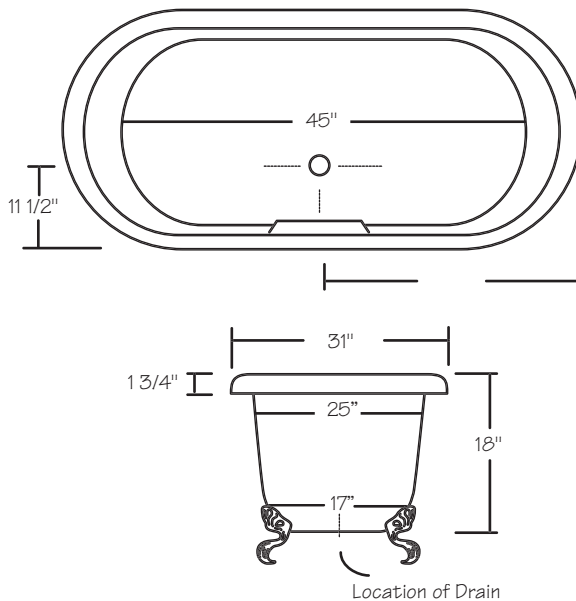
WEIGHT

- 44 Kg, 97 Lbs.



*1 year limited manufacturer's warranty included

*Note: Legs may not be exactly as shown



All measurements $\pm 1/4"$



This bathtub complies with CSA Standards

In keeping with our policy of continuing product improvement, Acri-Tec Industries Corp., reserves the right to change product specifications without notice.