

LC 160A

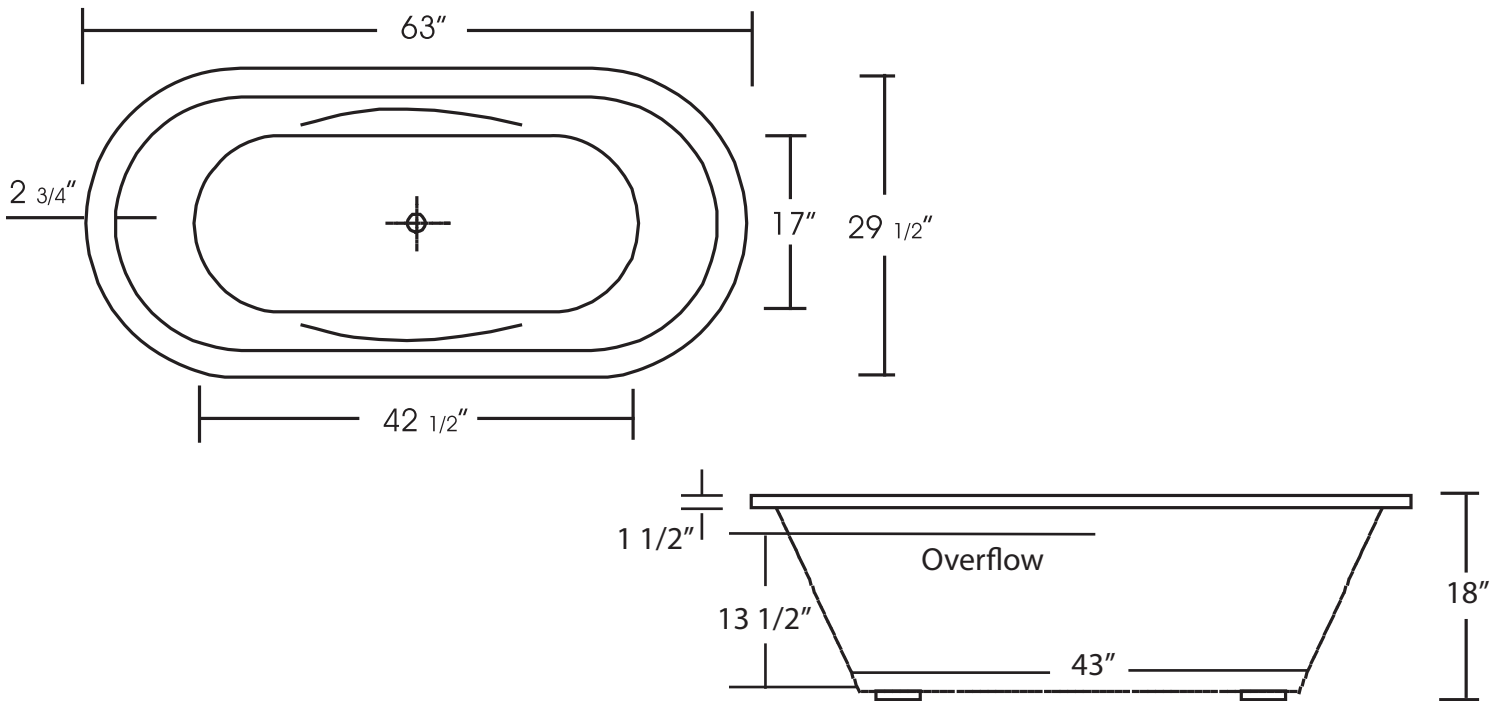
63" x 29 1/2" x 18"

(1600 x 750 x 430mm)

The LC160A can hold up to 40 gallons of water.



Drain: 2"
Overflow: 2 1/4"
Sizes: ± 3/8"
Diagram not to scale



This bathtub complies with CSA Standards

In keeping with our policy of continuing product improvement, Acri-Tec Industries Corp., reserves the right to change product specifications without notice.