

VB-150A VB-170A



VB-150A

59 x 27 1/2 x 18 1/2"
(1500 x 700 x 470mm)

The VB-150A can hold up to 40 gallons of water.

VB-170A

67 x 29 1/2 x 18 1/2"
(1700 x 750 x 470mm)

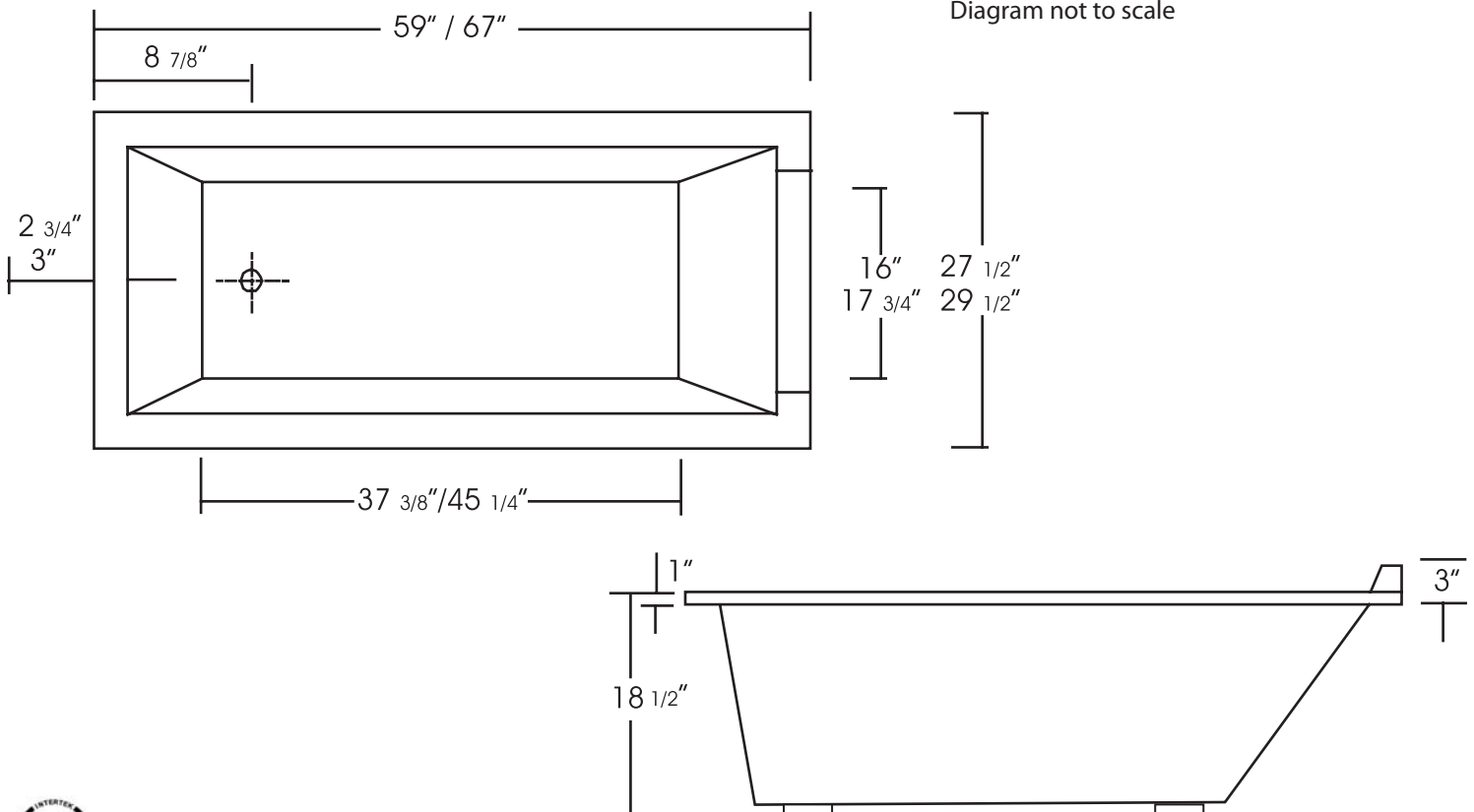
The VB-170A can hold up to 60 gallons of water.

Drain: 2"

Overflow: 2 1/4"

Sizes: $\pm 3/8$ "

Diagram not to scale



This bathtub complies with CSA Standards

In keeping with our policy of continuing product improvement, Acri-Tec Industries Corp., reserves the right to change product specifications without notice.