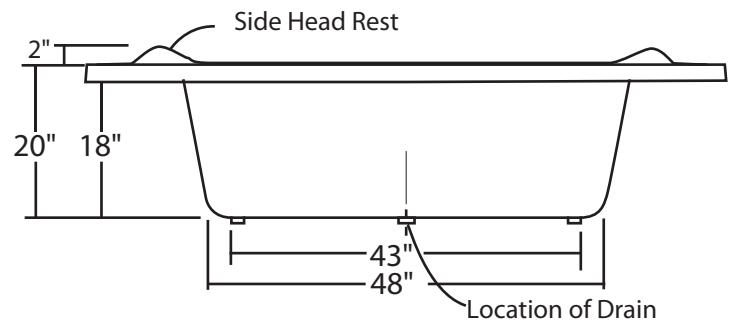
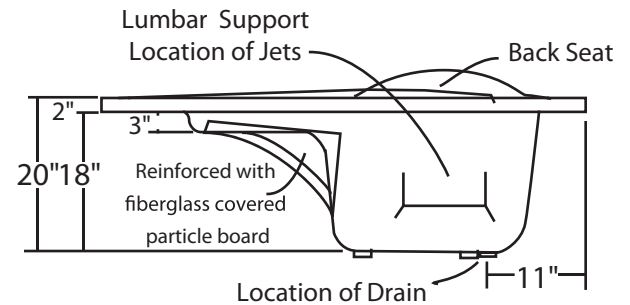
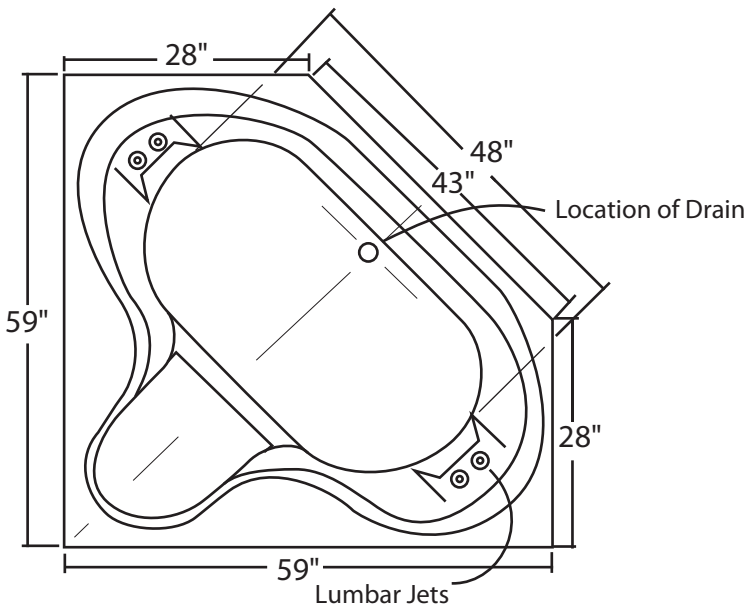




Fjord I 60" x 60"

With over 18" in depth from the deck of the tub to the floor, the Fjord I allows bathers to fully submerge themselves for a more pleasurable bathing experience. The Fjord I can hold up to 50 gallons of water.

The Fjord I is made from 100% acrylic with fibre-glass reinforcement for added strength and durability.



This bathtub complies with CSA Standards

Drain: 2"
Overflow: 2 1/4"
Sizes: ± 3/8"
Diagram not to scale

In keeping with our policy of continuing product improvement, Acri-Tec Industries Corp., reserves the right to change product specifications without notice.