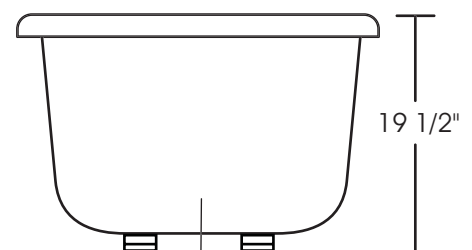
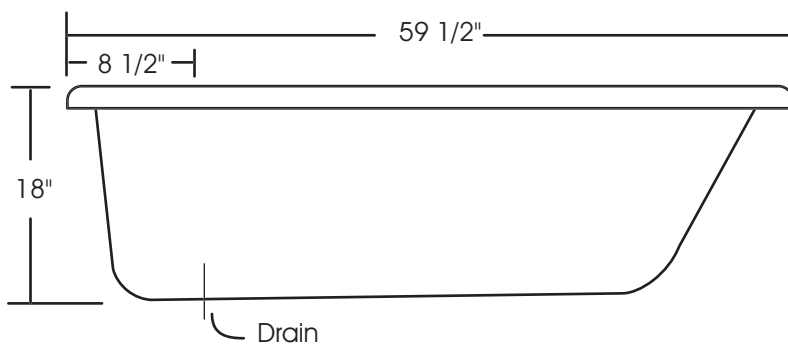
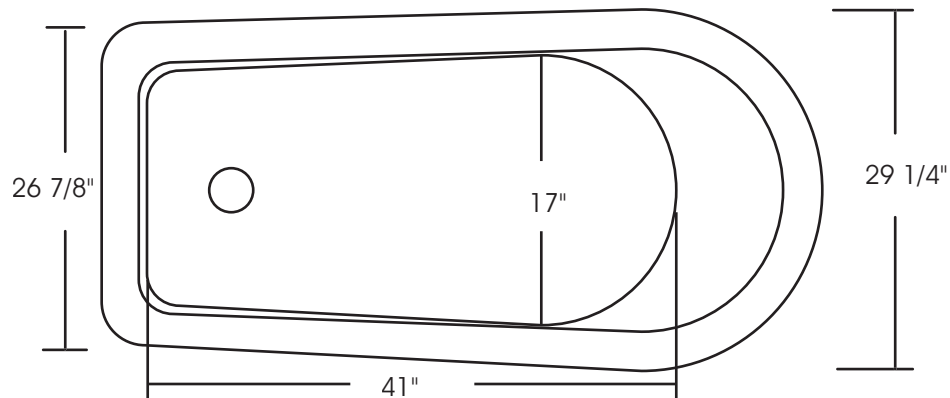


Nelson I 60" x 30"



With over 18" in depth from the deck of the tub to the floor, the Nelson I allows bathers to fully submerge themselves for a more pleasurable bathing experience. The Nelson I can hold up to 40 gallons of water.

The Nelson I is made from 100% acrylic with fibre-glass reinforcement for added strength and durability.



Drain: 2"
Overflow: 2 1/4"
Sizes: ± 3/8"
Diagram not to scale



This bathtub complies with CSA Standards

In keeping with our policy of continuing product improvement, Acri-Tec Industries Corp., reserves the right to change product specifications without notice.