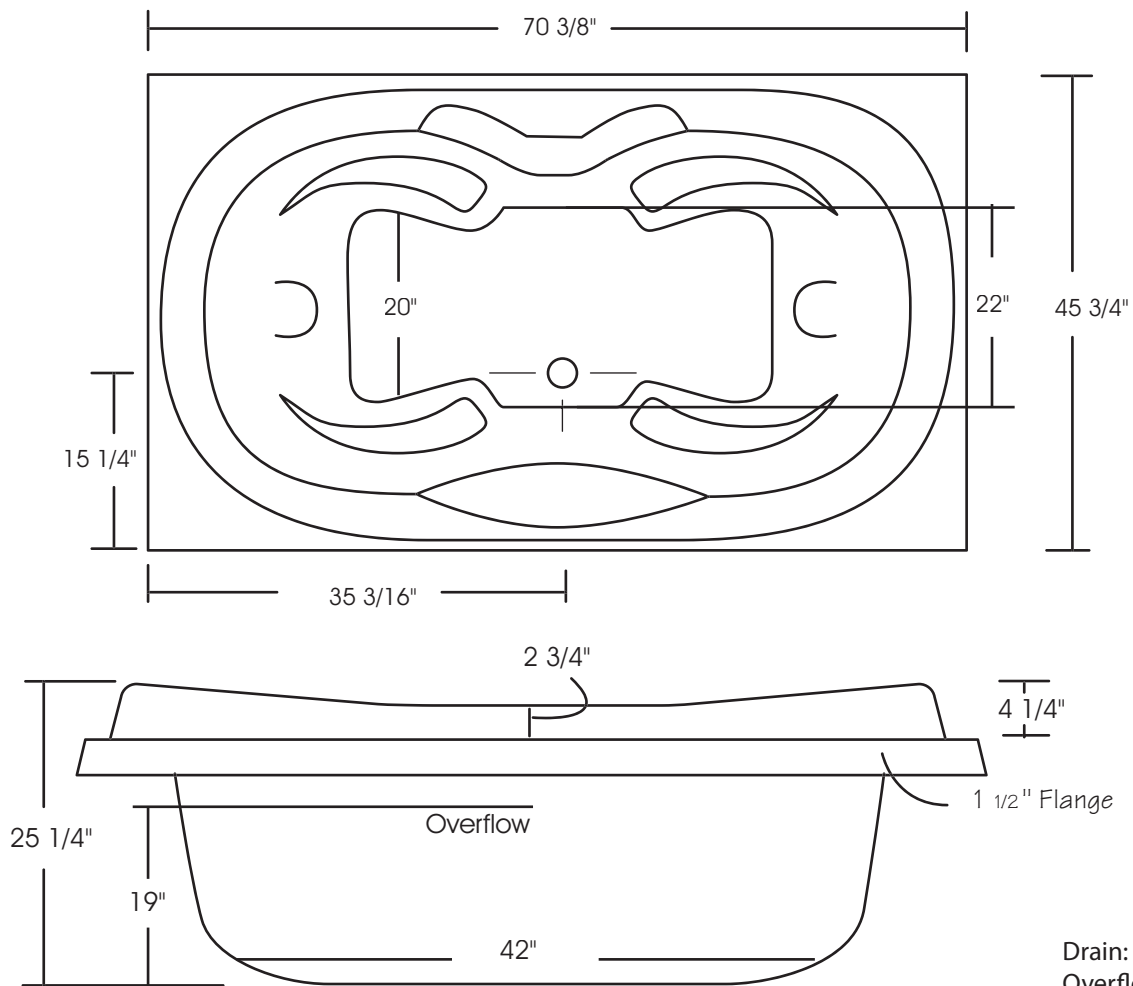


Omega I 72" x 46"



With over 18 1/2" in depth from the deck of the tub to the floor, the Omega allows bathers to fully submerge themselves for a more pleasurable bathing experience. The Omega I can hold up to 70 gallons of water.

The Omega is made from 100% acrylic with fibre-glass reinforcement for added strength and durability.



Drain: 2"
Overflow: 2 1/4"
Sizes: ± 3/8"
Diagram not to scale



This bathtub complies with CSA Standards

In keeping with our policy of continuing product improvement, Acri-Tec Industries Corp., reserves the right to change product specifications without notice.