



ARTO IB

74 1/4" x 38 3/4" x 23 5/8"

(1800 x 900 x 600mm)

With Towel Rail:

74 1/4" x 38 3/4" x 23 5/8"

(1885 x 985 x 600mm)

The ARTOIB can hold up to approximately 60 gallons of water.

This bathtub is shipped fully assembled with a chrome cable drive waste & overflow assembly.

A brushed nickel waste & overflow is available as an accessory.

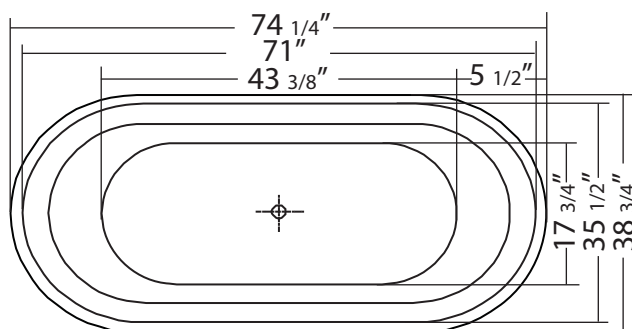
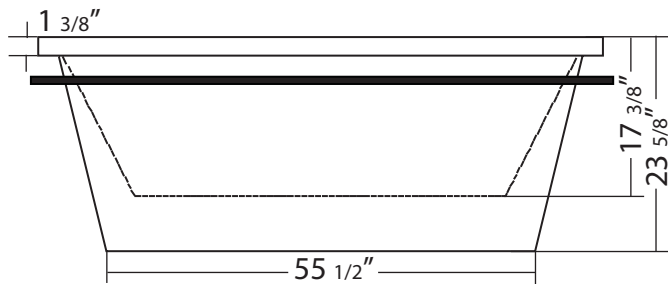
Drain: 2"

Overflow: 2 1/4"

Sizes: ± 3/8"

Diagram not to scale

Lateral & vertical air jets can be installed on this bathtub. The blower must be installed in a remote location and not within the outer shell of the bathtub.



This bathtub complies with CSA Standards

In keeping with our policy of continuing product improvement, Acri-Tec Industries Corp., reserves the right to change product specifications without notice.