



ARTO IIB

67" x 31 1/2" x 23 5/8"

(1700 x 800 x 600mm)

The ARTOIIB can hold up to approximately 60 gallons of water.

This bathtub is shipped fully assembled with a chrome cable drive waste & overflow assembly.

A brushed nickel waste & overflow is available as an accessory.

Drain: 2"

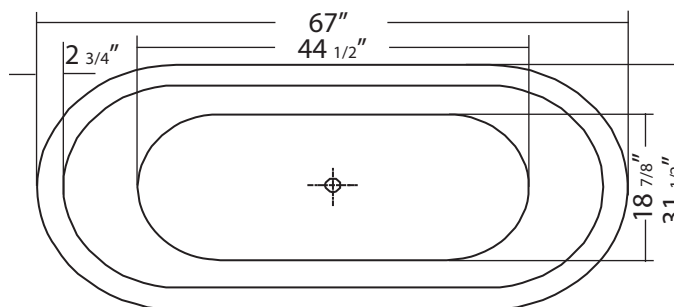
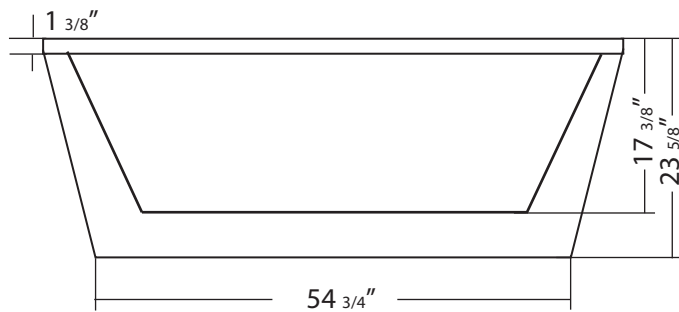
Overflow: 2 1/4"

Sizes: ± 3/8"

Diagram not to scale

Vertical air jets can be installed on this bathtub. The blower must be installed in a remote location and not within the outer shell of the bathtub.

If lateral air jets are required please call our toll-free line to discuss the layout with our sales reps.



This bathtub complies with CSA Standards

In keeping with our policy of continuing product improvement, Acri-Tec Industries Corp., reserves the right to change product specifications without notice.