



BL 175B

69" x 29 1/2" x 23 5/8"

(1750 x 750 x 600mm)

The BL175B can hold up to approximately 50 gallons of water.

This bathtub is shipped fully assembled with a chrome cable drive waste & overflow assembly.

A brushed nickel waste & overflow is available as an accessory.

Drain: 2"

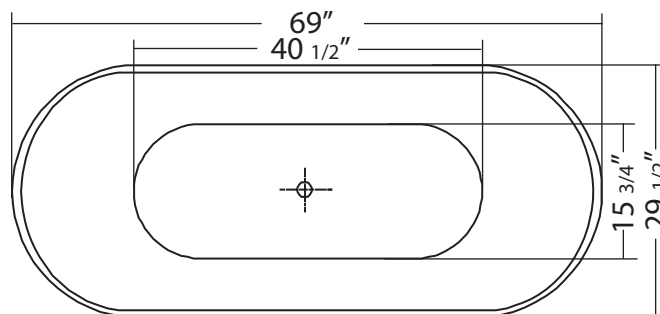
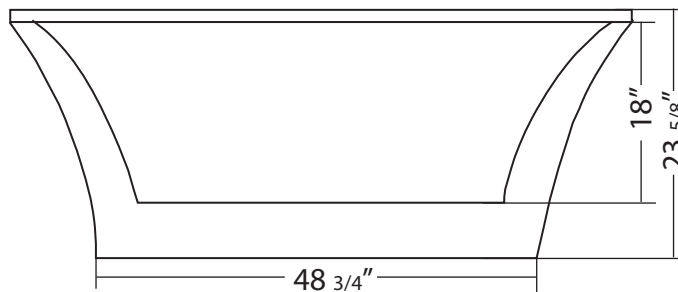
Overflow: 2 1/4"

Sizes: $\pm 3/8$ "

Diagram not to scale

Vertical air jets can be installed on this bathtub. The blower must be installed in a remote location and not within the outer shell of the bathtub.

If lateral air jets are required please call our toll-free line to discuss the layout with our sales reps.



This bathtub complies with CSA Standards

In keeping with our policy of continuing product improvement, Acri-Tec Industries Corp., reserves the right to change product specifications without notice.